

ZENEX PLUS I-System

ZENEX PLUS I-System

ZENEX PLUS
I-System

IZEN
I M P L A N T
izenimplant Co.,Ltd.

IZ-CAT-05 Rev.01 (02/22)

HQ & Factory
1, 2Dong, 26-32, Suworam 4-gil, Seotan-myeon, Pyeongtaek-si, Gyeonggi-do,
17703, Republic of Korea

Sales Office
#1013, #1014 Central-Tower II, 158, Magokseo-ro, Gangseo-gu, Seoul,
07788, Republic of Korea
Tel. +82-31-662-0657 (HQ)
+82-2-3664-3666 (Sales)
Fax. +82-31-662-0658


IZEN

www.izenimplant.com

IZEN
I M P L A N T
izenimplant Co.,Ltd.

**Z E N E X
I M P L A N T
S Y S T E M**

018 ZENEX PLUS I-System

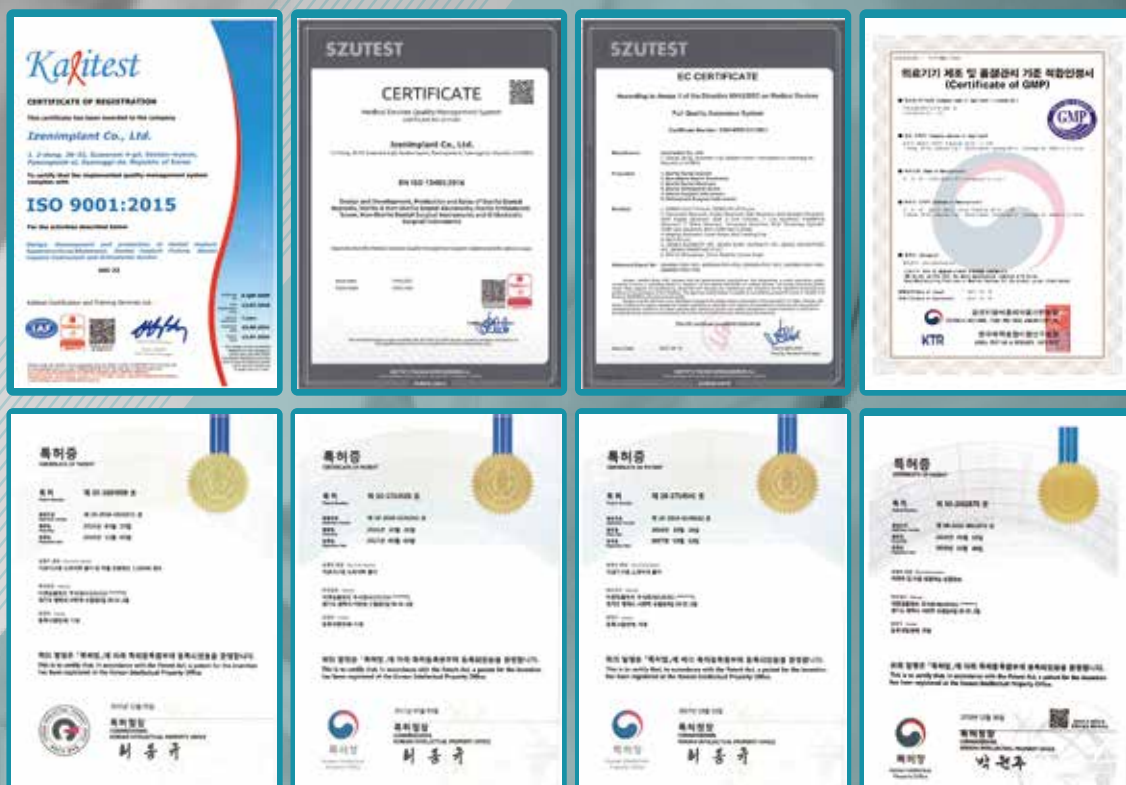


IZEN Implant, innovative technology in pursuit of **bright smile**

Established in 2016 by developers and researchers who have spent more than 20 years on research and development in dental implants, IZEN Implant have working on developing innovative products to provide the best result to patients. We will continue to grow into a company that meets customers' needs with safe and excellent products made of trust and continuous research and development.

IZEN Implant provides more convenient, stable, and optimized implant system by building product line-up with high-end technology of ZENEX MULTI and ZENEX PLUS.

Certification



History & Global Network



2016. 03

Foundation of IZEN Implant

2016. 06

Acquisition of manufacturing licenses for medical devices
Report medical device items (Screw driver for dental implant surgery)

2016. 12

Patent registration (Driver holder and driver apparatus for dental engineering, No. 10-1684959)

2017. 03

Patent registration (Driver holder for dental apparatus, No. 10-1714533, No. 10-1714541)

2018. 08

Venture Business Certificate (No. 20180110278)

2018. 09

Foundation of Corporate Affiliated Research Institute (No. 2018114470)

2019. 06

Acquisition of small businesses technology development project (Development of Dental implant abutments and scan body for dental digital system)

2019.12

Patent registration (Abutment and dental implant, No. 10-2062575)



IZEN

I M P L A N T

Your companion armed with active
and flexible ideas for your satisfaction.

2017.09

Registration of medical devices
(Apparatus for dental implant
surgery)

2018.03

Certification of medical
device items compliance with
manufacturing and quality
control standards (KGMP)

2018.04

Medical Device Item Certification
(Dental implant abutments)

2018.07

Acquisition of ISO 9001 : 2015

2020.01

Medical Device Item
Certification
(Orthodontic Screw)

2020.12

Medical Device Item
Certification
(Dental implant abutments)

2021.01

Patent registration
(Implant Lab Analog,
No. 10-2209274)

2021.05

Acquisition of ISO13485:
2016 & CE MDD

MANUFACTURE

Manufacturing



Materials

Fixture and Abutment of ZENEX MULTI & ZENEX PLUS Implant System are produced by titanium which is certified by ASTM.



Manufacture by CNC Machine

In order to produce Fixture and Abutment of ZENEX MULTI & ZENEX PLUS Implant System, the raw materials are manufactured by CNC Machine.



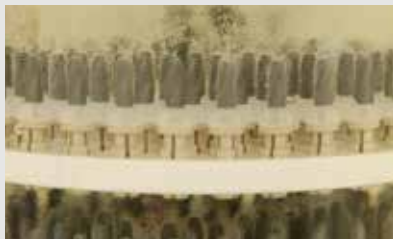
Manufacture of Half-Finished product

Fixture and Abutment of ZENEX MULTI & ZENEX PLUS Implant System are manufactured as a Half-Finished product based on a design of each product.



Sand Blasting

In case of Fixture, the roughness of surface is increased physically by blasting Alumina powder for osseointegration through getting a wide SLA surface.



Etching

In case of Fixture, the roughness of surface is widened by chemical corrosion. After a SLA surface treatment, the surface inspection is done whether any residual acid is on the fixture.



TiN Coating

For classifying product and aesthetic impression, the electronic-chemical methods are used artificially for TiN coating as a gold color. Applied for some kinds of Abutments.



Cleaning

Final cleaning for a perfect removal of pollutant is proceeded in the Clean Room. After final cleaning, the inspection will be taken place.



Packing

After cleaning products, the packing is done in the Clean Room. The packing is proceeded by automatic system without any foreign pollution.



Sterilization

For some products, it is sterilized by the short-wavelength of gamma radiation. It is possible to check the sterilization through a color of sticker on the package changed by a gamma radiation. Applied product: Fixture, Cover Screw, Healing Abutment & Multi Healing Cap.

Quality Management



Dimension Management

After manufacturing product (fixture), Dimension of product is tested by non-contact visual microscope to measure precise dimension.



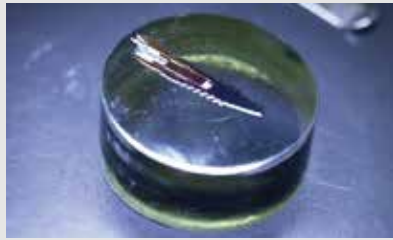
Surface Management

In order to maintain a stable roughness of SLA Implant surface, the roughness of surface is tested in each lot.



Stability Test

Our products are tested by fixation force and screw loosening for providing a stable products.



Connection Management

We observe the fixture and abutment is connected internally without any problem before the shipment.



Fatigue Test

For providing the strength of product and a long-term safety, a fatigue test is done by measuring a mechanical force. Based on ISO14801:2016, the test is taken place.

ZENEX PLUS I-System Contents

ZENEX PLUS
I-System Fixture
018



Cover
Screw
021



Healing
Abutment
022



Temporary
Abutment
026



Cemented
Abutment
027



Angled
Abutment
031



FreeMilling
Abutment
035



CCM Cast
Abutment
037



Pick-Up
Impression
Coping
038



Transfer
Impression
Coping
040



Fixture Lab
Analog
042



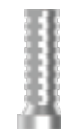
Multi Straight
Abutment
045



Multi Angled
Abutment
046



Multi Temporary
Cylinder
047



Multi CCM
Cast Cylinder
047



Multi Plastic
Cast Cylinder
048



Multi Ti-Link
Cylinder
048



Multi Pick-Up
Impression
Coping
049



Multi Transfer
Impression
Coping
049



Multi
Lab Analog
050



Multi
Healing Cap
050



Multi
ScanBody
051



Multi Straight
Abutment Driver
051



Ball
Abutment
054



Ball Abutment
Cap Set
055



Ball Abutment
Retainer Set
055



Ball Abutment
O-ring Set
056



Ball Abutment
Lab Analog
056



Ball Abutment
Driver
057



Kerator
Abutment
058



Kerator Angled
Abutment
059



Kerator
CDPH Set
060



Kerator
Male Cap
060



Kerator
Magic Tool
061



Kerator
Torque Tip
061



Kerator
Impression
Coping
062



Kerator Lab
Analog
062



ScanBody
066



Ti Link
Abutment
067



Ti Blank
Abutment
068



Kit Contents

ZENEX
SURGERY KIT
134



Guide
Drill
136



Lindemann
Drill
136



Drill
Extension
137



Twist
Drill
137



Step
Drill
138



Drill
Stopper
139



Cortical
Drill
139



Direction
Pin
140



Parallel
Pin
141



Fixture
Driver
141



1.2 Hex
Driver
143



IZEN
I M P L A N T

Torque
Wrench
143



Depth
Gauge
144



Steel
Bowl
144



ZENEX
SIMPLE KIT
150



Guide
Drill
152



Lindemann
Drill
152



Drill
Extension
153



Twist
Drill
153



Drill
Stopper
154



Cortical
Drill
154



Direction
Pin
155



Parallel
Pin
155



Fixture Driver
156



1.2 Hex Driver
156



Torque Wrench
157



Depth Gauge
157



ZENEX EASY SURGERY KIT
162



Guide Drill
164



Lindemann Drill
164



Drill Extension
165



Step Drill
165



Cortical Drill
167



Direction Pin
167



Parallel Pin
168



IZEN

I M P L A N T

Fixture Driver
168



1.2 Hex Driver
170



Torque Wrench
170



Depth Gauge
171



Steel Bowl
171



Tissue Punch
176



Trephine Drill
176



Bone Profiler
177



ZENEX SUPERWIDE KIT
178



Guide Drill
180



Lindemann Drill
180



Drill Extension
181



Kit Contents

Step Drill
181



Cortical Drill
182



Direction Pin
182



Parallel Pin
183



Fixture Driver
183



1.2 Hex Driver
185



Torque Wrench
185



Depth Gauge
186



ZENEX
PROSTHETIC
KIT
188



1.2 Hex Driver
190



1.2 Hex Machine
Screw Driver
190



Abutment
Remover
191



Finger Driver
for Driver Shaft
191



Ball Abutment
Driver
192



Multi Straight
Abutment Driver
192



Torque
Wrench
193



Kerator
Magic Tool
193



Kerator
Torque Tip
194



IZEN
I M P L A N T

ZENEX PLUS
I-System

ZENEX PLUS I-System

COMPOSITION

018 ZENEX PLUS I-System Fixture

021 Cover Screw

022 Healing Abutment

025 PROSTHETIC FLOW CHART I

026 Temporary Abutment

027 Cemented Abutment

031 Angled Abutment

035 FreeMilling Abutment

037 CCM Cast Abutment

038 Pick-Up Impression Coping

040 Transfer Impression Coping

042 Fixture Lab Analog

044 PROSTHETIC FLOW CHART II

045 Multi Straight Abutment

046 Multi Angled Abutment

047 Components of Multi Abutment

053 PROSTHETIC FLOW CHART III

054 Ball Abutment

055 Components of Ball Abutment

058 Kerator Abutment

059 Kerator Angled Abutment

060 Components of Kerator Abutment

065 PROSTHETIC FLOW CHART IV

066 ScanBody

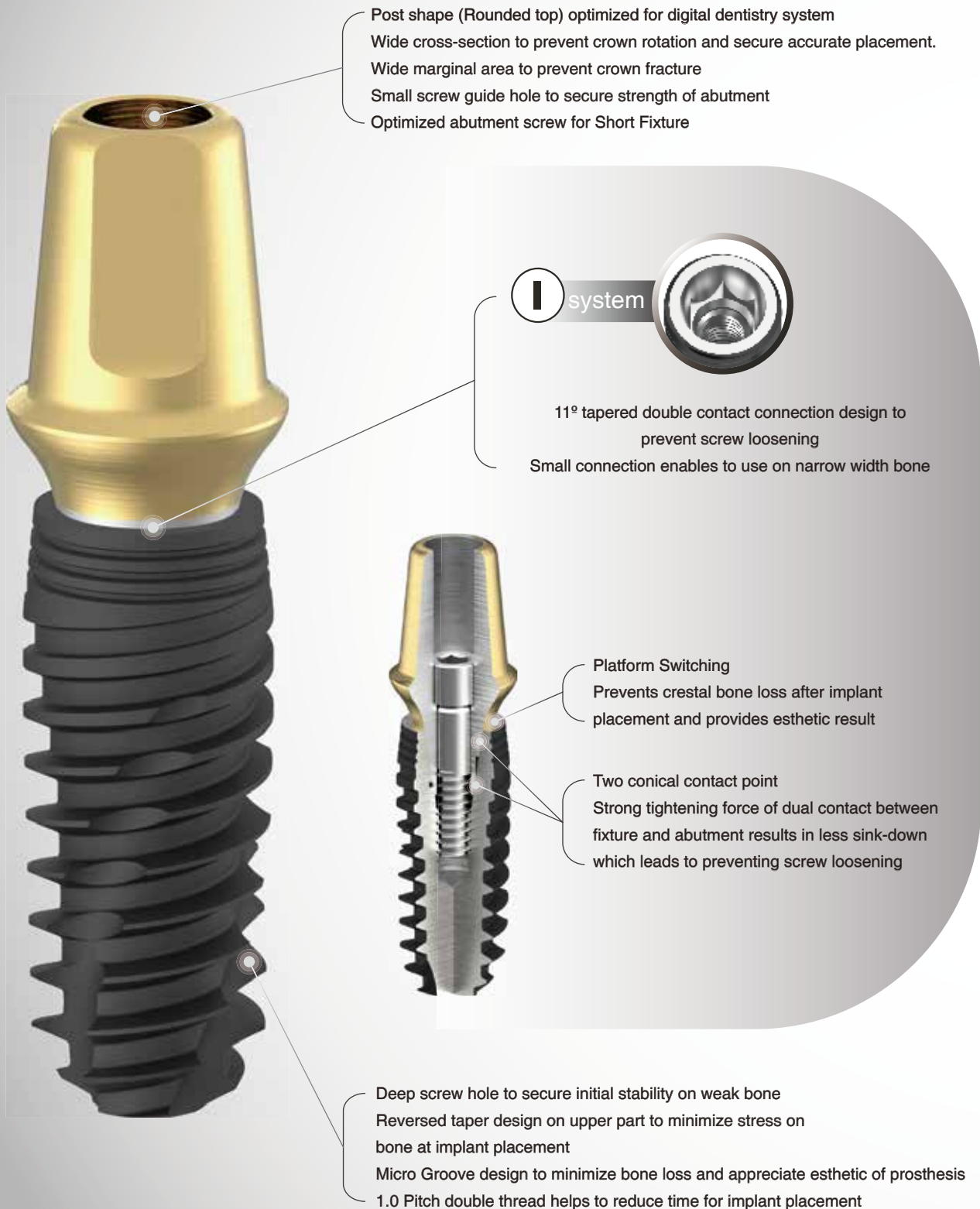
067 Ti Link Abutment

068 Ti Blank Abutment

ZENEX PLUS I-System

- Design features

- Designed for various types of bone



ZENEX PLUS Implant

- Surface features

SEM MAG:30X

SLA surface
(Al₂O₃ powder Sand-blast and Acid Etched)

- SLA surface for presenting ideal surface shape
- Surface Roughness Ra 2.0~3.0 μm
- Safe surface with no residual acid
- Safer than other implants
(Proved by ICP/IC Analysis)

SEM MAG:5000X

ZENEX PLUS Fixture I-System

Reversed taper design on upper part to minimize stress on bone when an implant is placed.

SLA surface implant

Micro Groove design to minimize bone loss and appreciate esthetic of prosthesis

Deep screw hole to secure initial stability on weak bone

Recommended torque for implant placement: Less than 40Ncm

For X-Narrow Fixture (Ø 3.0)

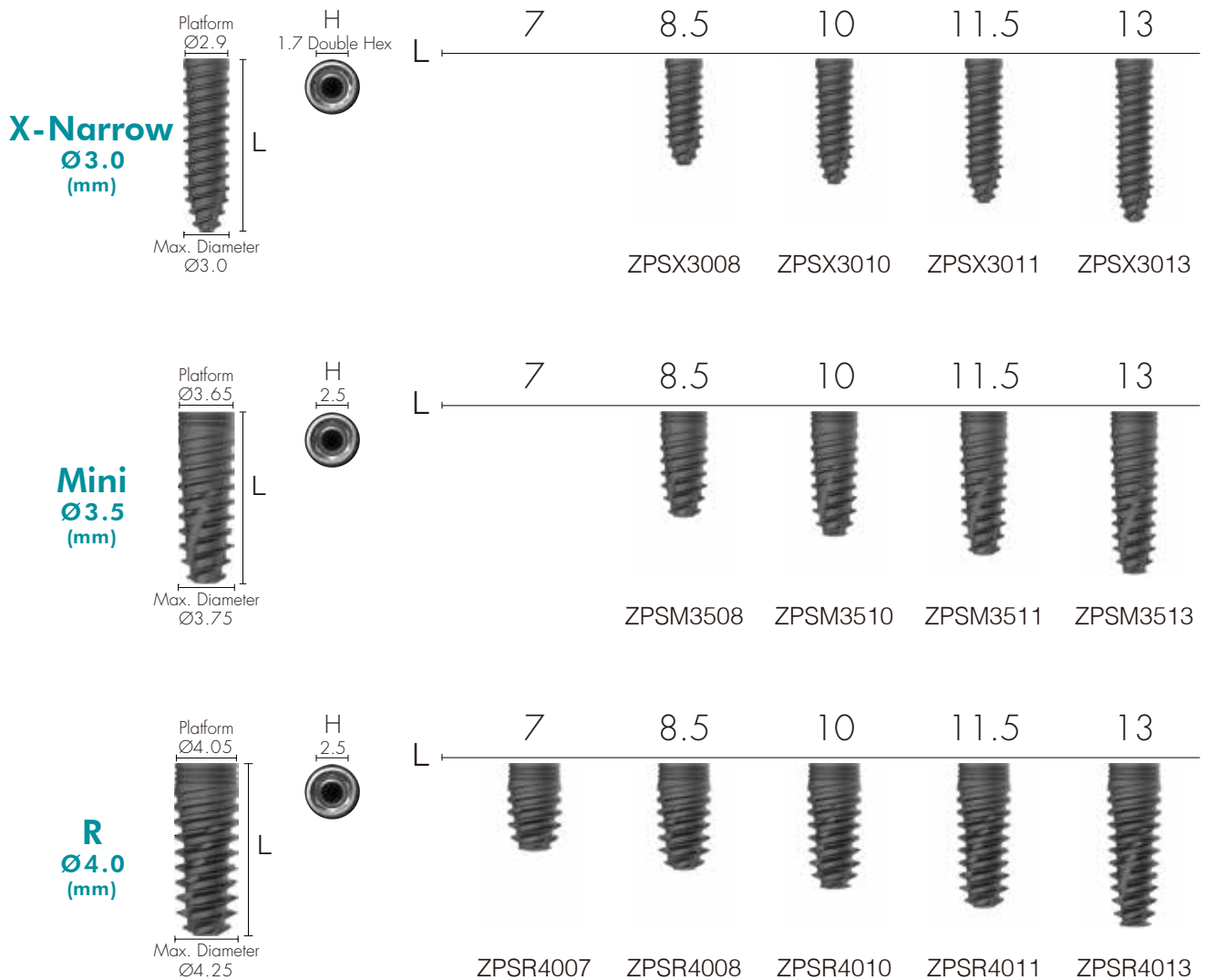
- Easy angle compensation for anterior part and use for narrow width bone
- 1.7 Double Hex

* Recommend to use fixture bigger than Ø4.5 mm for single case in posterior area

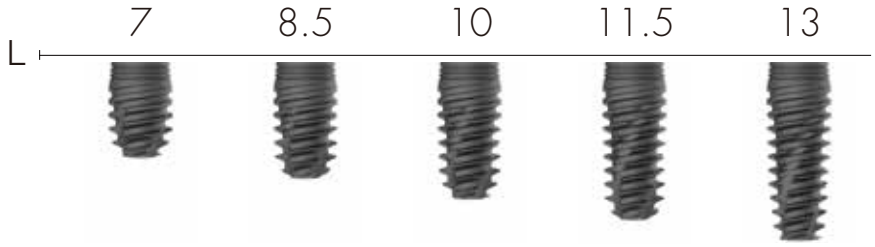
* Incompatible to use other brands' prosthetic products for Short Fixture (less than 7mm length) in case of I-System

Cover Screw not included in the Fixture package.

018 ZENEX PLUS

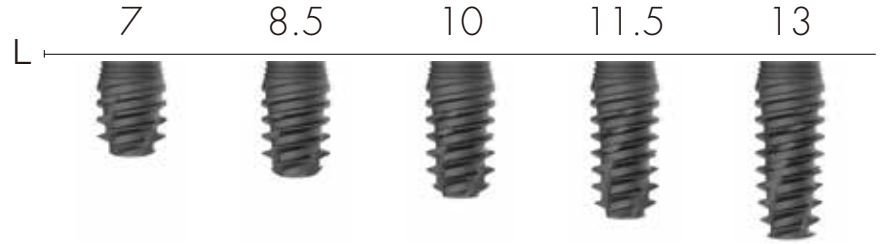


R
Ø4.5
(mm)



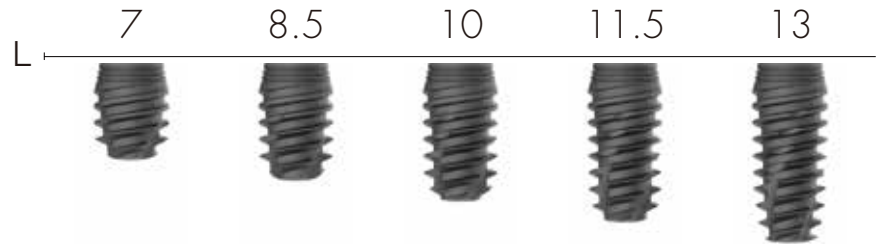
ZPSR4507 ZPSR4508 ZPSR4510 ZPSR4511 ZPSR4513

W
Ø5.0
(mm)



ZPSW5007 ZPSW5008 ZPSW5010 ZPSW5011 ZPSW5013

W
Ø5.5
(mm)



ZPSW5507 ZPSW5508 ZPSW5510 ZPSW5511 ZPSW5513

Special Options

X-Narrow
Ø3.0 (mm)

Platform Ø2.9
Max. Diameter Ø3.0

H 1.7D_{puble} Hex

15

ZPSX3015

M
Ø3.5 (mm)

Platform Ø3.65
Max. Diameter Ø3.75

H 2.5

15

ZPSM3515

R
Ø4.0 (mm)

Platform Ø4.05
Max. Diameter Ø4.25

H 2.5

15 18 20

ZPSR4015 ZPSR4018 ZPSR4020

R
Ø4.5 (mm)

Platform Ø4.2
Max. Diameter Ø4.6

H 2.5

15 18 20

ZPSR4515 ZPSR4518 ZPSR4520

W
Ø5.0 (mm)

Platform Ø4.25
Max. Diameter Ø5.05

H 2.5

15

ZPSW5015

W
Ø5.5 (mm)

Platform Ø4.6
Max. Diameter Ø5.4

H 2.5

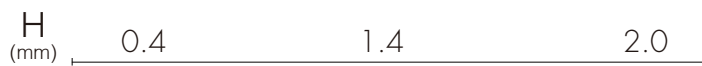
15

ZPSW5515

Cover Screw

Select appropriate fixture height upon depth of implant placement.
Select specification fits for fixture connection.

Tighten with 1.2 Hex Driver by hand
Recommended tightening torque: 5~8Ncm



X-Narrow



CSSX26

Mini



CSSM30S



CSSM30M



CSSM30L

R/W



CSSR40S



CSSR40M



CSSR40L

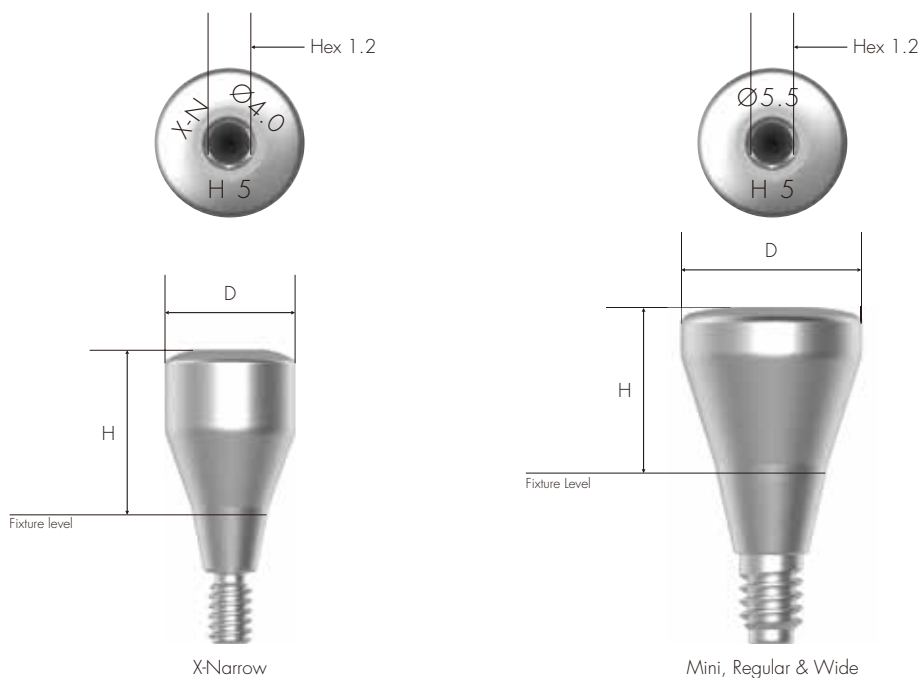
Healing Abutment

Use Healing Abutment fits for the diameter of abutment.
Use specification fits for fixture connection.

Tighten with 1.2 Hex Driver by hand

Recommended tightening torque: 5-8Ncm

When using a X-Narrow Fixture (Ø 3.0), use exclusive Healing Abutment for X-Narrow Fixture.







X-Narrow

H (mm)	3.0	4.0	5.0	
D (mm)	Ø4.0	HASX403	HASX404	HASX405




X-Narrow

H (mm)	6.0	7.0	9.0	
D (mm)	Ø4.0	HASX406	HASX407	HASX409

M/R/W

H (mm)	2.0	3.0	4.0	5.0
				
D (mm)				
Ø4.3	HASR402	HASR403	HASR404	HASR405
Ø4.8	HASR452	HASR453	HASR454	HASR455
Ø5.5	HASR522	HASR523	HASR524	HASR525
Ø6.0	HASR572	HASR573	HASR574	HASR575
Ø6.8	HASR652	HASR653	HASR654	HASR655
Ø8.0		HASR803	HASR804	HASR805
Ø9.0		HASR903	HASR904	HASR905

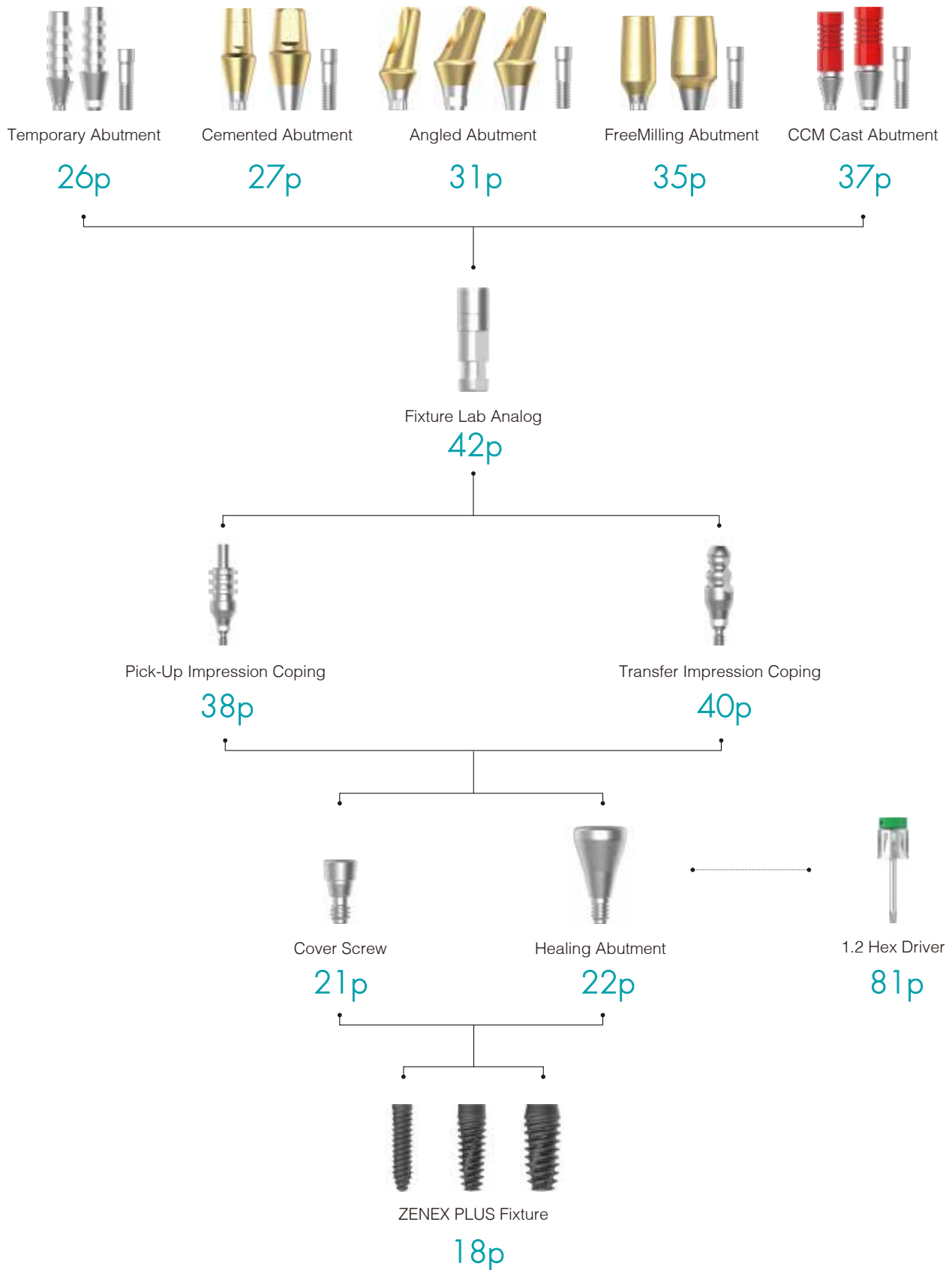
M/R/W

H (mm)	6.0	7.0	9.0
			
D (mm)			
Ø4.3	HASR406	HASR407	HASR409
Ø4.8	HASR456	HASR457	HASR459
Ø5.5	HASR526	HASR527	HASR529
Ø6.0	HASR576	HASR577	HASR579
Ø6.8	HASR656	HASR657	HASR659

024 ZENEX
00 PLUS

IZEN
I M P L A N T

Prosthetic Flow Chart I



025
ZENEX
PLUS

Temporary Abutment

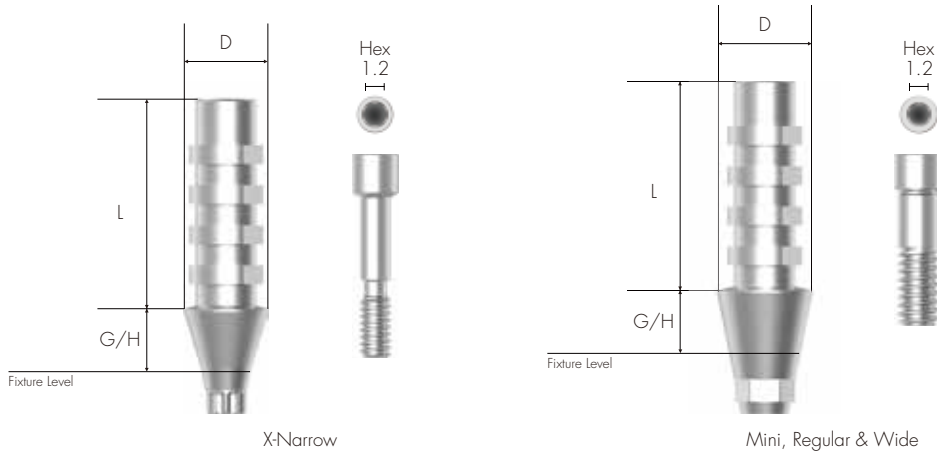
Abutment for manufacturing Screw-retained type temporary prosthesis
 Select specification fits for fixture connection.
 Fixture Level Impression

Tighten with 1.2 Hex Driver

Recommended tightening torque: 20Ncm

When using a X-Narrow Fixture (Ø 3.0), use exclusive Temporary Abutment for X-Narrow Fixture.

To order as a set as 'Abutment + Abutment Screw'
 : Product Code + S (ex: TASRH4510S)



X-Narrow DØ4.0

G/H (mm)	1.0		3.0	
	Double-Hex	Non-Hex	Double-Hex	Non-Hex
	TASXH4010	TASXN4010	TASXH4030	TASXN4030

M/R/W DØ4.5

G/H (mm)	1.0		3.0	
	Hex	Non-Hex	Hex	Non-Hex
	TASRH4510	TASRN4510	TASRH4530	TASRN4530

Cemented Abutment

Abutment for manufacturing Cement/Combination-retained type prosthesis

Select specification fits for fixture connection.

Customized by grinding (At least 3.0mm of Abutment Length above Fixture Platform needs to be maintained)

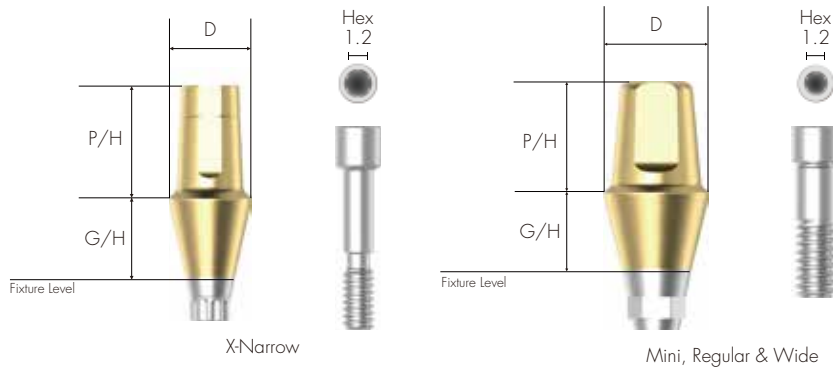
Fixture Level Impression

Tighten with 1.2 Hex Driver

Recommended tightening torque: 20Ncm for X-Narrow / 30Ncm for Mini, Regular & Wide

When using a X-Narrow Fixture (Ø 3.0), use exclusive Cemented Abutment for X-Narrow Fixture.

To order as a set as 'Abutment + Abutment Screw'
: Product Code + S (ex: CASRH45104S)





X-Narrow DØ4.0

	G/H (mm)	2.0	3.0	4.0	5.0	
Double-Hex	5.5	CASXD40205	CASXD40305	CASXD40405	CASXD40505	
	7.0	CASXD40207	CASXD40307	CASXD40407	CASXD40507	
Non-Hex	5.5	CASXN40205	CASXN40305	CASXN40405	CASXN40505	
	7.0	CASXN40207	CASXN40307	CASXN40407	CASXN40507	
M/R/W DØ4.5		G/H (mm)	1.0	2.0	3.0	4.0
Hex	4.0	CASRH45104	CASRH45204	CASRH45304	CASRH45404	
	5.5	CASRH45105	CASRH45205	CASRH45305	CASRH45405	
	7.0	CASRH45107	CASRH45207	CASRH45307	CASRH45407	
Non-Hex	4.0	CASRN45104	CASRN45204	CASRN45304	CASRN45404	
	5.5	CASRN45105	CASRN45205	CASRN45305	CASRN45405	
	7.0	CASRN45107	CASRN45207	CASRN45307	CASRN45407	

M/R/W
DØ4.5

		G/H (mm)	5.0	6.0	7.0
		P/H (mm)			
Hex	4.0	CASRH45504	CASRH45604	CASRH45704	
	5.5	CASRH45505	CASRH45605	CASRH45705	
	7.0	CASRH45507	CASRH45607	CASRH45707	
Non-Hex	4.0	CASRN45504	CASRN45604	CASRN45704	
	5.5	CASRN45505	CASRN45605	CASRN45705	
	7.0	CASRN45507	CASRN45607	CASRN45707	





M/R/W
DØ5.2

		G/H (mm)	1.0	2.0	3.0	4.0
		P/H (mm)				
Hex	4.0	CASRH52104	CASRH52204	CASRH52304	CASRH52404	
	5.5	CASRH52105	CASRH52205	CASRH52305	CASRH52405	
	7.0	CASRH52107	CASRH52207	CASRH52307	CASRH52407	
Non-Hex	4.0	CASRN52104	CASRN52204	CASRN52304	CASRN52404	
	5.5	CASRN52105	CASRN52205	CASRN52305	CASRN52405	
	7.0	CASRN52107	CASRN52207	CASRN52307	CASRN52407	

M/R/W
DØ5.2

		G/H (mm)	5.0	6.0	7.0
		P/H (mm)			
Hex	4.0	CASRH52504	CASRH52604	CASRH52704	
	5.5	CASRH52505	CASRH52605	CASRH52705	
	7.0	CASRH52507	CASRH52607	CASRH52707	
Non-Hex	4.0	CASRN52504	CASRN52604	CASRN52704	
	5.5	CASRN52505	CASRN52605	CASRN52705	
	7.0	CASRN52507	CASRN52607	CASRN52707	

M/R/W
DØ5.7

		G/H (mm)	1.0	2.0	3.0	4.0
		P/H (mm)				
Hex	4.0	CASRH57104	CASRH57204	CASRH57304	CASRH57404	
	5.5	CASRH57105	CASRH57205	CASRH57305	CASRH57405	
	7.0	CASRH57107	CASRH57207	CASRH57307	CASRH57407	
Non-Hex	4.0	CASRN57104	CASRN57204	CASRN57304	CASRN57404	
	5.5	CASRN57105	CASRN57205	CASRN57305	CASRN57405	
	7.0	CASRN57107	CASRN57207	CASRN57307	CASRN57407	

M/R/W
DØ5.7

		G/H (mm)	5.0	6.0	7.0
		P/H (mm)			
Hex	4.0	CASRH57504	CASRH57604	CASRH57704	
	5.5	CASRH57505	CASRH57605	CASRH57705	
	7.0	CASRH57507	CASRH57607	CASRH57707	
Non-Hex	4.0	CASRN57504	CASRN57604	CASRN57704	
	5.5	CASRN57505	CASRN57605	CASRN57705	
	7.0	CASRN57507	CASRN57607	CASRN57707	

M/R/W
DØ6.5

		G/H (mm)	1.0	2.0	3.0	4.0
		P/H (mm)				
Hex	4.0	CASRH65104	CASRH65204	CASRH65304	CASRH65404	
	5.5	CASRH65105	CASRH65205	CASRH65305	CASRH65405	
Non-Hex	4.0	CASRN65104	CASRN65204	CASRN65304	CASRN65404	
	5.5	CASRN65105	CASRN65205	CASRN65305	CASRN65405	

M/R/W
DØ6.5

G/H
(mm)

5.0

6.0

7.0



P/H
(mm)

4.0

CASRH65504

CASRH65604

CASRH65704

Hex

5.5

CASRH65505

CASRH65605

CASRH65705

Non-Hex

4.0

CASRN65504

CASRN65604

CASRN65704

5.5

CASRN65505

CASRN65605

CASRN65705

Angled Abutment

Abutment for manufacturing Cement/Combination-retained type prosthesis

Various types of Angle (15° for Ø 3.0 X-Narrow Fixture / 15° & 25° for Mini, Regular and Wide Fixture [Ø 3.5 - Ø 5.5])

Select specification fits for fixture connection.

Fixture Level Impression

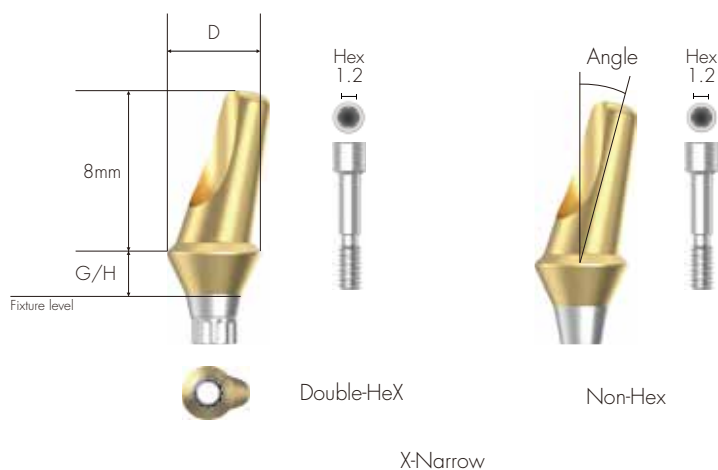
Can be positioned in 12 directions by selecting A or B type

Tighten with 1.2 Hex Driver

Recommended tightening torque: 20Ncm for X-Narrow / 30Ncm for Mini, Regular & Wide

When using a X-Narrow Fixture (Ø 3.0), use exclusive Angled Abutment for X-Narrow Fixture.

To order as a set as 'Abutment + Abutment Screw'
: Product Code + S (ex: AASRA45152S)



X-Narrow
DØ4.0

G/H (mm)	2.0	4.0
Angle	15°	



Double-Hex

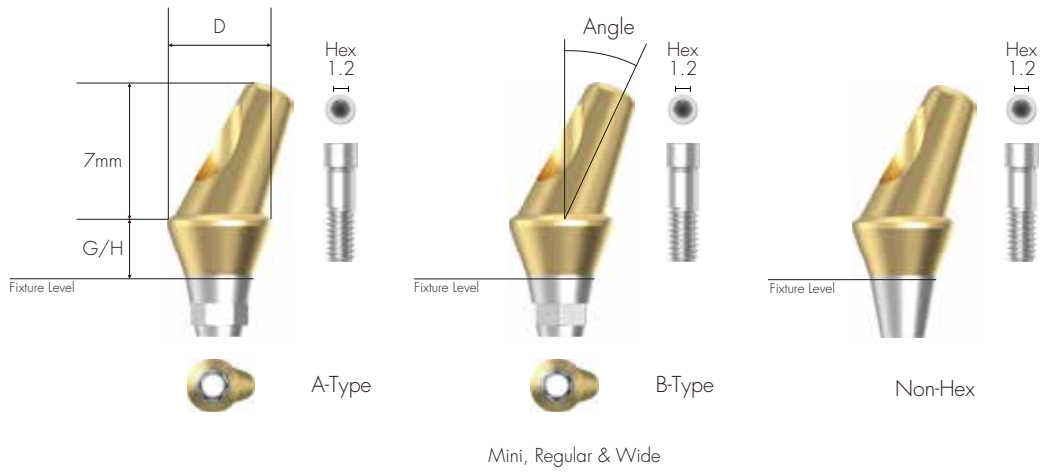
AASXD40152

AASXD40154

Non-Hex

AASXN40152

AASXN40154



M/R/W
DØ4.5

G/H (mm)	2.0	3.0	4.0
Angle		15°	



A-Type

AASRA45152

AASRA45153

AASRA45154

B-Type

AASRB45152

AASRB45153

AASRB45154

Non-Hex

AASRN45152

AASRN45153

AASRN45154

M/R/W
DØ5.2

G/H (mm)	2.0	3.0	4.0
Angle		15°	



A-Type

AASRA52152

AASRA52153

AASRA52154

B-Type

AASRB52152

AASRB52153

AASRB52154

Non-Hex

AASRN52152

AASRN52153

AASRN52154

M/R/W
DØ5.7

G/H (mm)	2.0	3.0	4.0
Angle	15°		



A-Type	AASRA57152	AASRA57153	AASRA57154
B-Type	AASRB57152	AASRB57153	AASRB57154
Non-Hex	AASRN57152	AASRN57153	AASRN57154

M/R/W
DØ4.5

G/H (mm)	2.0	3.0	4.0
Angle	25°		



A-Type	AASRA45252	AASRA45253	AASRA45254
B-Type	AASRB45252	AASRB45253	AASRB45254
Non-Hex	AASRN45252	AASRN45253	AASRN45254

M/R/W
DØ5.2

G/H (mm)	2.0	3.0	4.0
Angle	25°		



A-Type	AASRA52252	AASRA52253	AASRA52254
B-Type	AASRB52252	AASRB52253	AASRB52254
Non-Hex	AASRN52252	AASRN52253	AASRN52254

M/R/W
DØ5.7

G/H
(mm) 2.0 3.0 4.0
Angle 25°



A-Type AASRA57252 AASRA57253 AASRA57254

B-Type AASRB57252 AASRB57253 AASRB57254

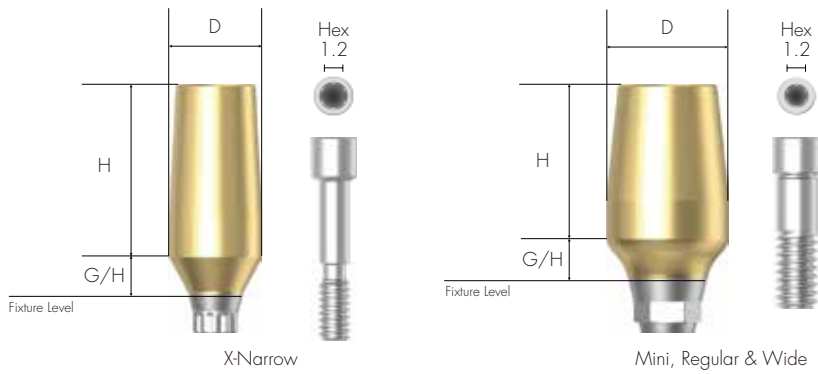
Non-Hex AASRN57252 AASRN57253 AASRN57254

FreeMilling Abutment

Abutment for manufacturing Cement/Combination-retained type prosthesis
 Used when creating free marginal space for Abutment
 Select specification fits for fixture Connection
 Customized by grinding (At least 3.0mm of Abutment Length above Fixture Platform needs to be maintained)
 Fixture Level Impression

Tighten with 1.2 Hex Driver
 Recommended tightening torque: 20Ncm for X-Narrow / 30Ncm for Mini, Regular & Wide
 When using a X-Narrow Fixture (Ø 3.0), use exclusive FreeMilling Abutment for X-Narrow Fixture.

To order as a set as 'Abutment + Abutment Screw'
 : Product Code + S (ex: FMASRH52208**S**)



035 ZENEX PLUS

X-Narrow

DØ4.0
 H: 9.0mm



M/R/W

DØ4.5
 H: 9.0mm



M/R/W
DØ5.2
H: 8.0mm

G/H (mm)		2.0		4.0	
					
Hex	Non-Hex	Hex	Non-Hex		
FMASRH52208	FMASRN52208	FMASRH52408	FMASRN52408		

M/R/W
DØ5.7
H: 8.0mm

G/H (mm)		2.0		4.0	
					
Hex	Non-Hex	Hex	Non-Hex		
FMASRH57208	FMASRN57208	FMASRH57408	FMASRN57408		

M/R/W
DØ6.5
H: 8.0mm

G/H (mm)		2.0		4.0	
					
Hex	Non-Hex	Hex	Non-Hex		
FMASRH65208	FMASRN65208	FMASRH65408	FMASRN65408		

CCM Cast Abutment

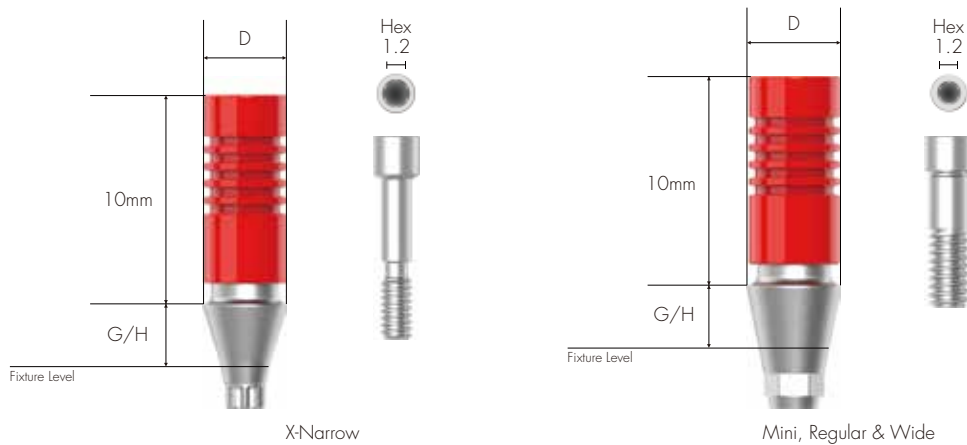
Abutment for manufacturing customized abutment in difficult and complicated cases
 Select specification fits for fixture connection
 Fixture Level Impression
 Casting with non-precious alloy for manufacturing customized prosthesis
 Melting point of CCM : 1,400 ~ 1,550°C

Tighten with 1.2 Hex Driver

Recommended tightening torque: 20Ncm for X-Narrow / 30Ncm for Mini, Regular & Wide

When using a X-Narrow Fixture (Ø 3.0), use exclusive CCM Cast Abutment for X-Narrow Fixture.

To order as a set as 'Abutment + Abutment Screw'
 : Product Code + S (ex: CCASRH4510**S**)



037 ZENEX PLUS

X-Narrow DØ4.0

G/H (mm)	1.0		3.0	
	Double-Hex	Non-Hex	Double-Hex	Non-Hex
	CCASXH4010	CCASXN4010	CCASXH4030	CCASXN4030

M/R/W DØ4.5

G/H (mm)	1.0		3.0	
	Hex	Non-Hex	Hex	Non-Hex
	CCASRH4510	CCASRN4510	CCASRH4530	CCASRN4530

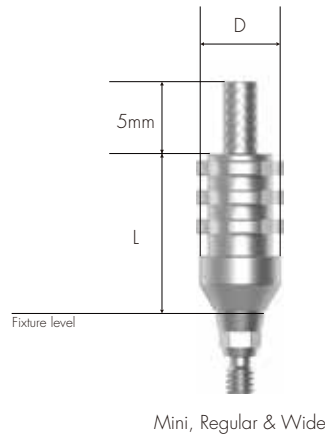
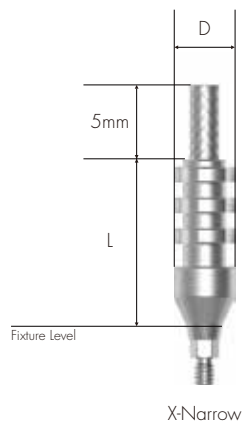
Pick-Up Impression Coping

Components for Fixture Level Impression
 Open Tray Type
 Select specification fits for fixture connection
 Enables accurate impression with design of stably fixed in impression material

Tighten with 1.2 Hex Driver by hand

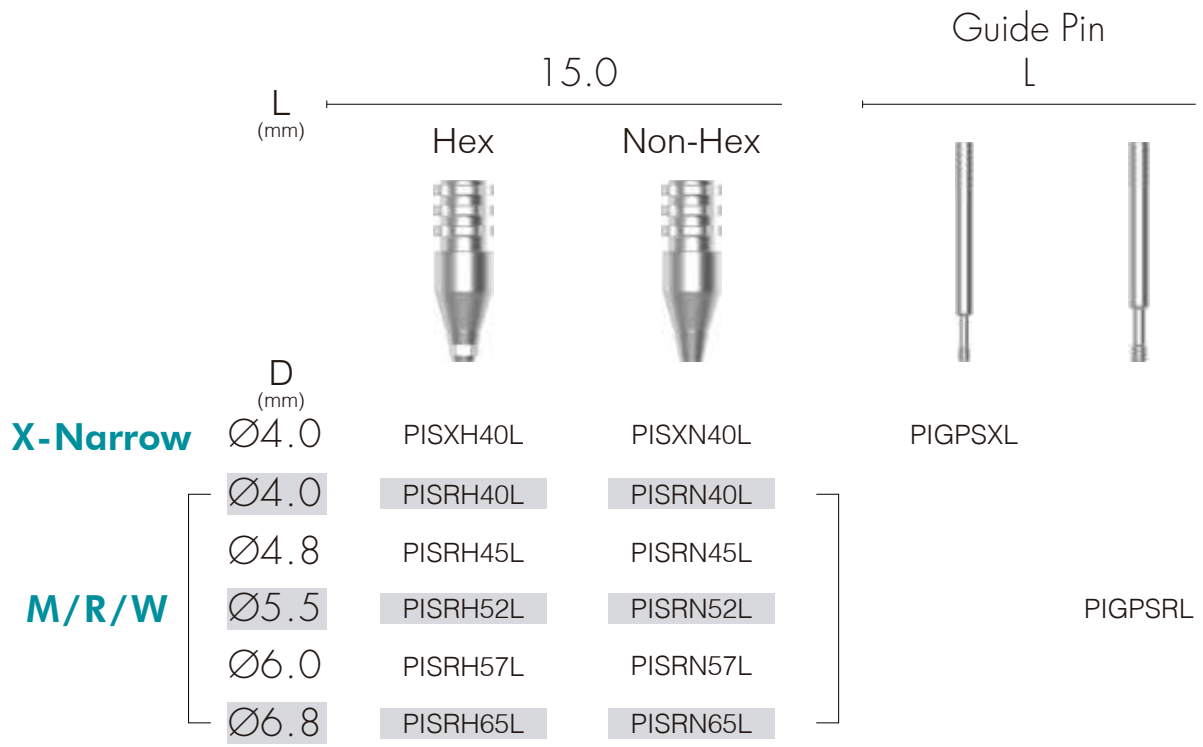
When using a X-Narrow Fixture (Ø 3.0), use exclusive Pick-up Impression Coping for X-Narrow Fixture.

To order as a set as 'Impression Coping body + Guide Pin'
 : [For 11mm Length] Product Code + S (ex: PISRH40S)
 [For 15mm Length] Product Code + S (ex: PISRH40LS)



038 ZENEX PLUS

	L (mm)	11.0		Guide Pin S	
		Hex	Non-Hex		
X-Narrow	D (mm)			PIGPSXS	
	Ø4.0	PISXH40S	PISXN40S		
	Ø4.0	PISRH40S	PISRN40S		
	Ø4.8	PISRH45S	PISRN45S		
M/R/W	Ø5.5	PISRH52S	PISRN52S		
	Ø6.0	PISRH57S	PISRN57S		
	Ø6.8	PISRH65S	PISRN65S	PIGPSRS	



Transfer Impression Coping

- Components for Fixture Level Impression
- Closed Tray Type
- Select specification fits for fixture connection
- Streamlined Shape: Easy to transfer
- Anti-Rotation Grooves accord with Hex of fixture

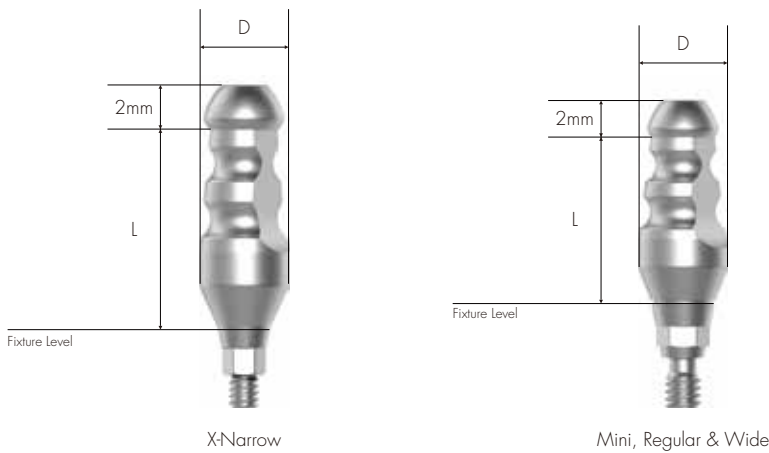
Tighten with 1.2 Hex Driver by hand

When using a X-Narrow Fixture (Ø 3.0), use exclusive Transfer Impression Coping for X-Narrow Fixture.

To order as a set as 'Impression Coping body + Guide Pin'

: [For 9mm Length] Product Code + S (ex: TISRH40SS)

[For 13mm Length] Product Code + S (ex: TISRH40LS)



040 ZENEX PLUS

	L (mm)	9.0		Guide Pin S	
		Hex	Non-Hex		
X-Narrow	Ø4.0	TISXH40S	TISXN40S	TIGPSXS	
	Ø4.0	TISRH40S	TISRN40S		
	Ø4.8	TISRH45S	TISRN45S		
M/R/W	Ø5.5	TISRH52S	TISRN52S		TIGPSRS
	Ø6.0	TISRH57S	TISRN57S		
	Ø6.8	TISRH65S	TISRN65S		

		13.0		Guide Pin	
		L (mm)		L	
		Hex	Non-Hex		
X-Narrow	D (mm)			TIGPSXL	
	Ø4.0	TISXH40L	TISXN40L		
M/R/W	Ø4.0	TISRH40L	TISRN40L		
	Ø4.8	TISRH45L	TISRN45L		
	Ø5.5	TISRH52L	TISRN52L	TIGPSRL	
	Ø6.0	TISRH57L	TISRN57L		
	Ø6.8	TISRH65L	TISRN65L		

Fixture Lab Analog

Lab Analog for Fixture Level Impression

Select among Fixture Diameter (\varnothing 3.0 / \varnothing 3.5 / \varnothing 4.0 and above)



042 ZENEX PLUS

X-Narrow
D \varnothing 3.0



FLASX300

Mini
D \varnothing 3.75



FLASM350

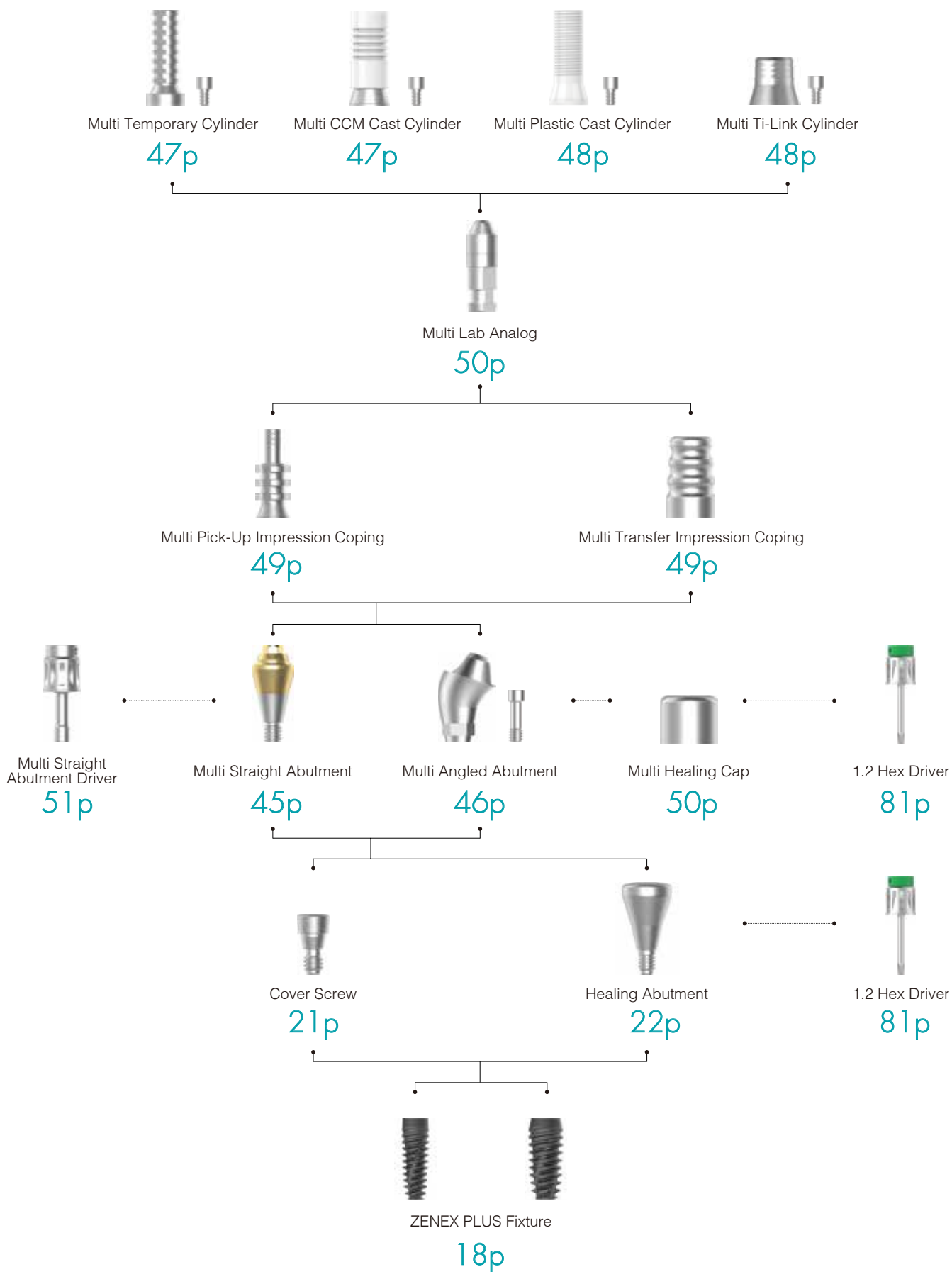
R/W
D \varnothing 4.25



FLASR400

IZEN
I M P L A N T

Prosthetic Flow Chart II



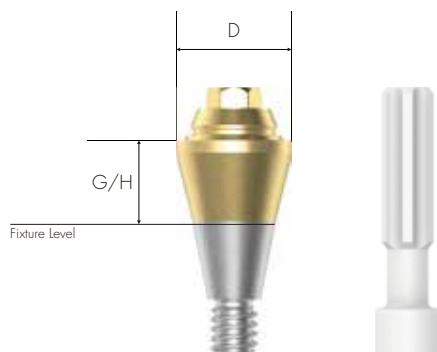
044 ZENEX PLUS

Multi Straight Abutment

Abutment for manufacturing screw-retained prosthesis in Multiple Case
Same platform as Multi Angled Abutment
Move into internal oral part by using exclusive Abutment Carrier (Code: MSACR48)

Tighten with exclusive driver (Code: MSADSR20)
Recommended tightening torque: 30Ncm

To order as a set as 'Abutment + Abutment Screw'
: Product Code + S (ex: MSASR4815S)



Mini, Regular & Wide

045 ZENEX PLUS

M/R/W
DØ4.8



Multi Angled Abutment

Abutment for manufacturing screw-retained prosthesis in Multiple Case
 Abutment of various angles (17°, 30°) for various angled of implant insertion path
 Same platform as Multi Straight Abutment
 Compensation of fixture placement angle up to 108°
 Connect by using exclusive Abutment Carrier (Code: MAACRMC)

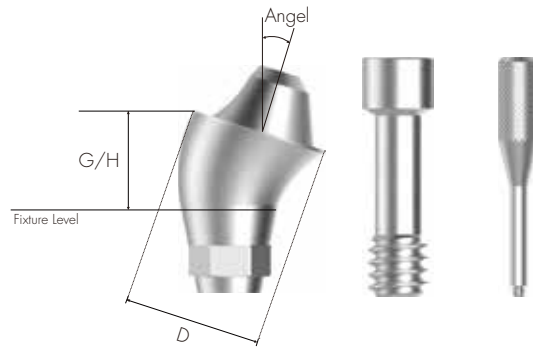
Tighten with 1.2 Hex Driver

Recommended tightening torque: 30Ncm

Multi Angled Abutment Screw (MAASSR23 for Mini, Regular and Wide) included

To order as a set as 'Abutment + Screw + Carrier'

: Product Code + S (ex: MAASRH481725S)



Mini, Regular & Wide

046 ZENEX PLUS

M/R/W
DØ4.8

G/H (mm)	2.5	3.5	4.5	5.5
Angle				
17°	MAASRH481725 MAASRN481725	MAASRH481735 MAASRN481735	MAASRH481745 MAASRN481745	MAASRH481755 MAASRN481755

M/R/W
DØ4.8

G/H (mm)	3.5	4.5	5.5	6.5
Angle				
30°	MAASRH483035 MAASRN483035	MAASRH483045 MAASRN483045	MAASRH483055 MAASRN483055	MAASRH483065 MAASRN483065

Multi Temporary Cylinder

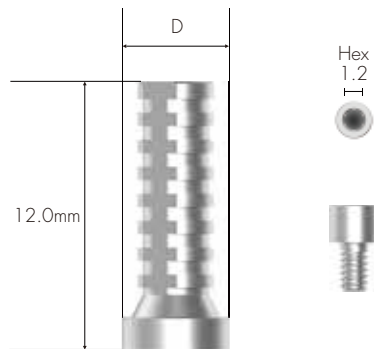
Multi Cylinder for making Combination-retained prosthesis from Multi Abutment
For manufacturing Screw-retained temporary Abutment

Tighten with 1.2 Hex Driver

Recommended tightening torque: 20Ncm

Multi Cylinder Screw (MTCSR23) included

To order as a set as 'Cylinder + Multi Cylinder Screw'
: Product Code + S (ex: MTCSR48S)



DØ4.8

MTCSR48

047
ZENEX
PLUS

Multi CCM Cast Cylinder

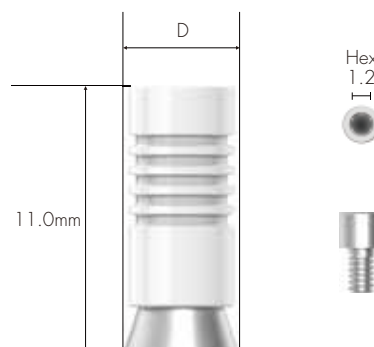
Multi Cylinder for making Screw-retained prosthesis from Multi Abutment
Casting with non-precious alloy for manufacturing customized prosthesis
Melting point of CCM : 1,400 ~ 1,550°C

Tighten with 1.2 Hex Driver

Recommended tightening torque: 20Ncm

Multi Cylinder Screw (MTCSR23) included

To order as a set as 'Cylinder + Multi Cylinder Screw'
: Product Code + S (ex: MCCC48S)



DØ4.8

MCCC48

Multi Plastic Cast Cylinder

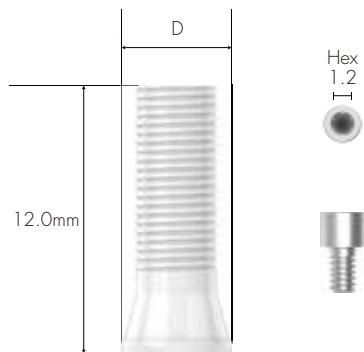
Multi Cylinder for making Screw-retained prosthesis from Multi Abutment

Tighten with 1.2 Hex Driver

Recommended tightening torque: 20Ncm

Multi Cylinder Screw (MTCSR23) included

To order as a set as 'Cylinder + Multi Cylinder Screw'
: Product Code + S (ex: MPCCSRN48S)



DØ5.0

MPCCSRN48

048 ZENEX PLUS

Multi Ti Link Cylinder

Multi Cylinder for making Combination-retained prosthesis from Multi Abutment

Use when producing Customized Abutment (Titanium & Zirconia) and Crown by CAD/CAM equipment

Use exclusive implant library of ZENEX PLUS Implant System

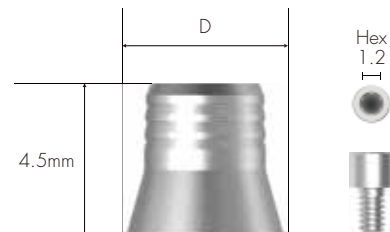
Abutment Level Impression

Tighten with 1.2 Hex Driver

Recommended tightening torque: 20Ncm

Multi Cylinder Screw (MTCSR23) included

To order as a set as 'Cylinder + Multi Cylinder Screw'
: Product Code + S (ex: MTLCSRN48S)



DØ4.8

MTLCSRN48

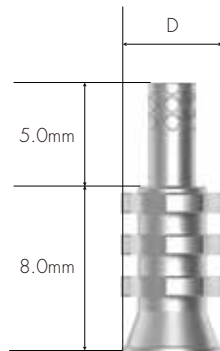
Multi Pick-Up Impression Coping

Components for taking Abutment Level impression for Multi Abutment Open Tray Type

Tighten with 1.2 Hex Driver by hand

Multi Pick-up Impression Coping Guide Pin (MPICSRGP) included

To order as a set as 'Impression Coping body + Guide Pin'
: Product Code + S (ex: MPICSR48S)



DØ4.8

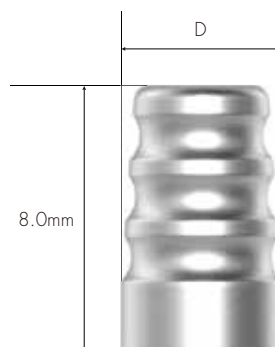
MPICSR48

049
ZENEX
PLUS

Multi Transfer Impression Coping

Components for taking Abutment Level impression for Multi Abutment Closed Tray Type

Tighten with 1.2 Hex Driver by hand



DØ4.8

MTICSR48

Multi Lab Analog

Lab Analog for Multi Abutment



MLASR48

050 ZENEX
PLUS

Multi Healing Cap

Protect Cap for Multi Abutment

Tighten with 1.2 Hex Driver by hand



$D\varnothing 4.8$

MHCSR48

Multi ScanBody

ScanBody for Multi Abutment

ScanBody for manufacturing customized Titanium abutment
Use for Oral scan (Model scan available as well)

Tighten with 1.2 Hex Driver by hand

To order as a set as 'ScanBody + ScanBody Screw'
: Product Code + S (ex: MSBSR4809S)



MSBSR4809

051 ZENEX PLUS

Multi Straight Abutment Driver

Torque driver for Multi Straight Abutment

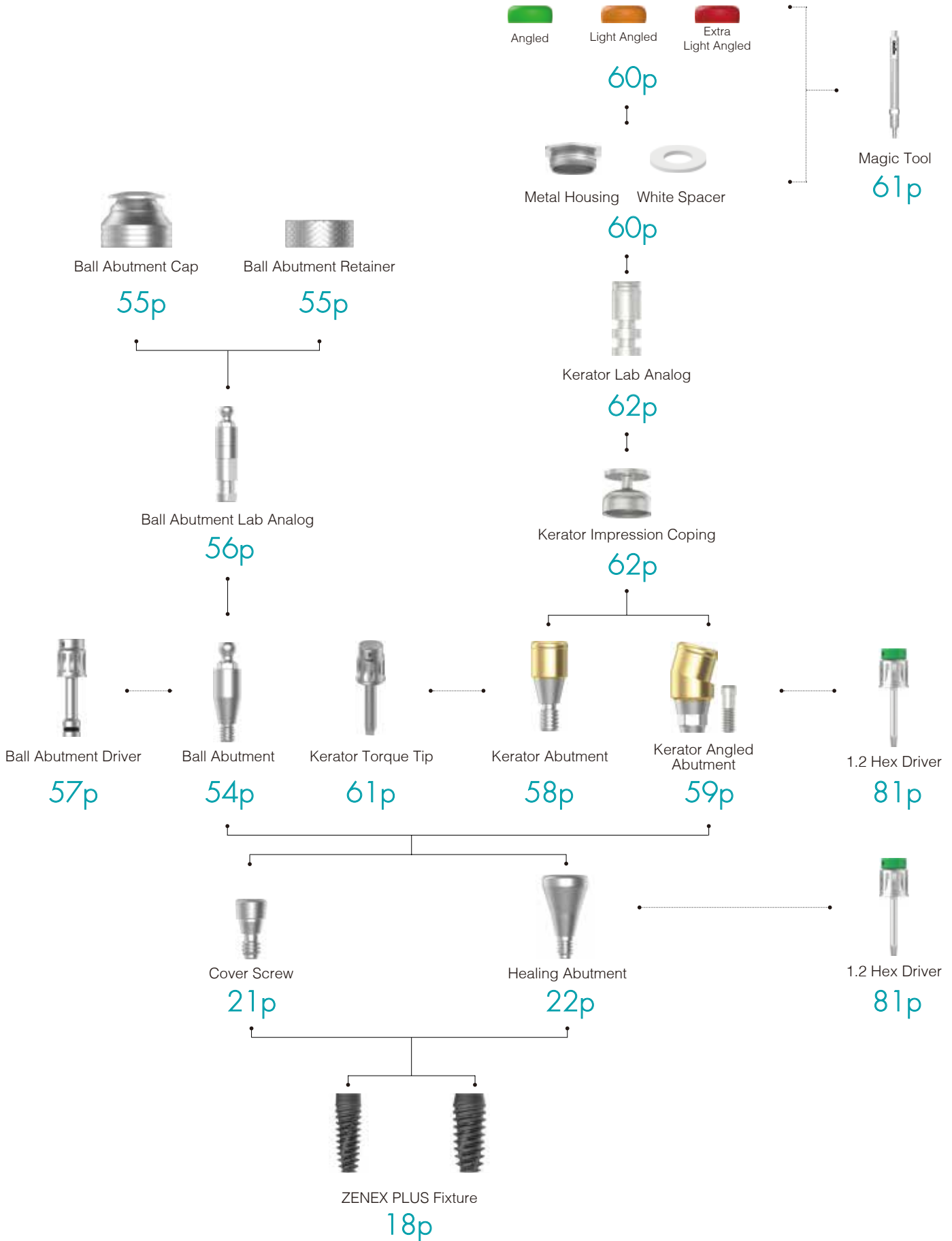


MSADSR20

IZEN

I M P L A N T

Prosthetic Flow Chart III

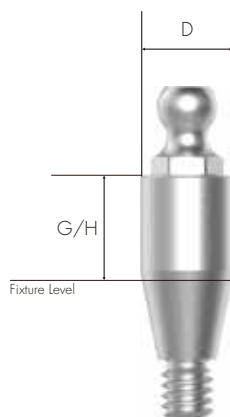


053 ZENEX PLUS

Ball Abutment

Abutment for overdenture using O-ring attachment
Compensation of mounting angle up to 20°

Tighten with exclusive Ball Abutment Driver (Code: BAD24)
Recommended tightening torque: 30Ncm



Mini, Regular & Wide

054 ZENEX PLUS

G/H
(mm)

1.0

2.0

3.0

4.0

5.0

6.0

M/R/W
DØ3.5



BASR3510

BASR3520

BASR3530

BASR3540

BASR3550

BASR3560

Ball Abutment Cap Set

O-ring attachment for Ball Abutment
Replace O-ring on Ball Abutment Cap
Packing Unit: Ball Abutment Cap + Ball Abutment Lab O-ring



BASRCS

055
ZENEX
PLUS

Ball Abutment Retainer Set

Use in case lack of vertical diameter comparing to Ball Abutment Retainer
Packing Unit: Ball Abutment Retainer + Ball Abutment Lab O-ring



BASRRS

Ball Abutment O-ring Set

O-ring set

Packing Unit: Ball Abutment O-ring 5 EA



BASROS

056 ZENEX
159 PLUS

Ball Abutment Lab Analog

Lab Analog for Ball Abutment



BAALA

Ball Abutment Driver

Torque driver for Ball Abutment

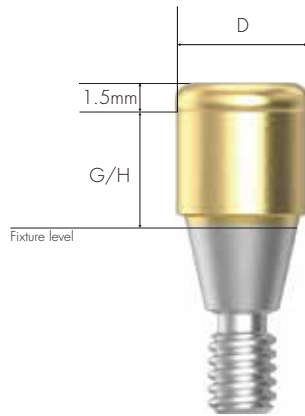


BAD24

Kerator Abutment

Compensation of fixture placement angle up to 40°
1.5mm lower vertical dimension
Composition of multiple attachments with stable retention

Connect with exclusive driver
Recommended tightening torque: 30Ncm



Mini, Regular & Wide

058 ZENEX
59 PLUS

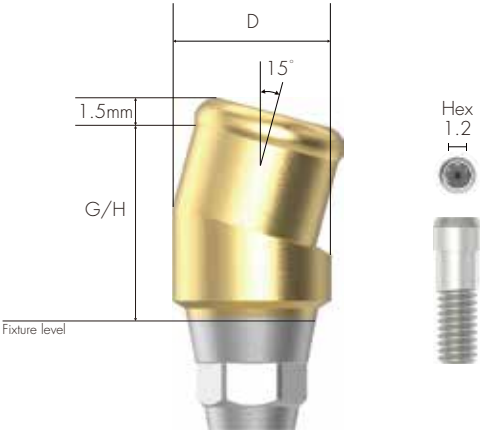
M/R/W
DØ3.7



Kerator Angled Abutment

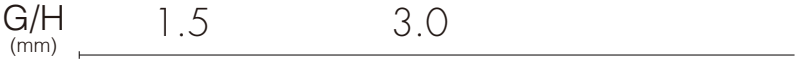
1.5mm lower vertical dimension
Composition of multiple attachments with stable retention

Connect with 1.2 Hex driver
Recommended tightening torque: 30Ncm



Mini, Regular & Wide

M/R/W
DØ3.7



SQ35AN1.5



SQ35AN3.0

Kerator CDPH Set

Composition: White spacer / denture cap connected black processing male & Replacement male (Red, Blue & Pink)

Select replacement male of adequate retention to use according to cases

Replace replacement male by using Kerator Magic tool



CDPH SET

06 ZENEX PLUS

Kerator Male Cap

Retention power of KERATOR male cap is down (up to 20%) and red cap(angle) is included in the male package

Colors of cap determine retention power and it minimizes Denture Repair even there is any continuous bone loss



Kerator Magic Tool

Use to connect and remove replacement male on denture cap
As separated into two pieces, it is easy for maintenance



KMT002

Kerator Torque Tip

Torque driver for Kerator Abutment

Round Type



KMD719

Kerator Impression Coping

Pick-Up Impression Coping for Kerator abutment
Closed Tray Type



DKI4845

062 ZENEX PLUS

Kerator Lab Analog

Lab Analog for Kerator Abutment



DKA3854

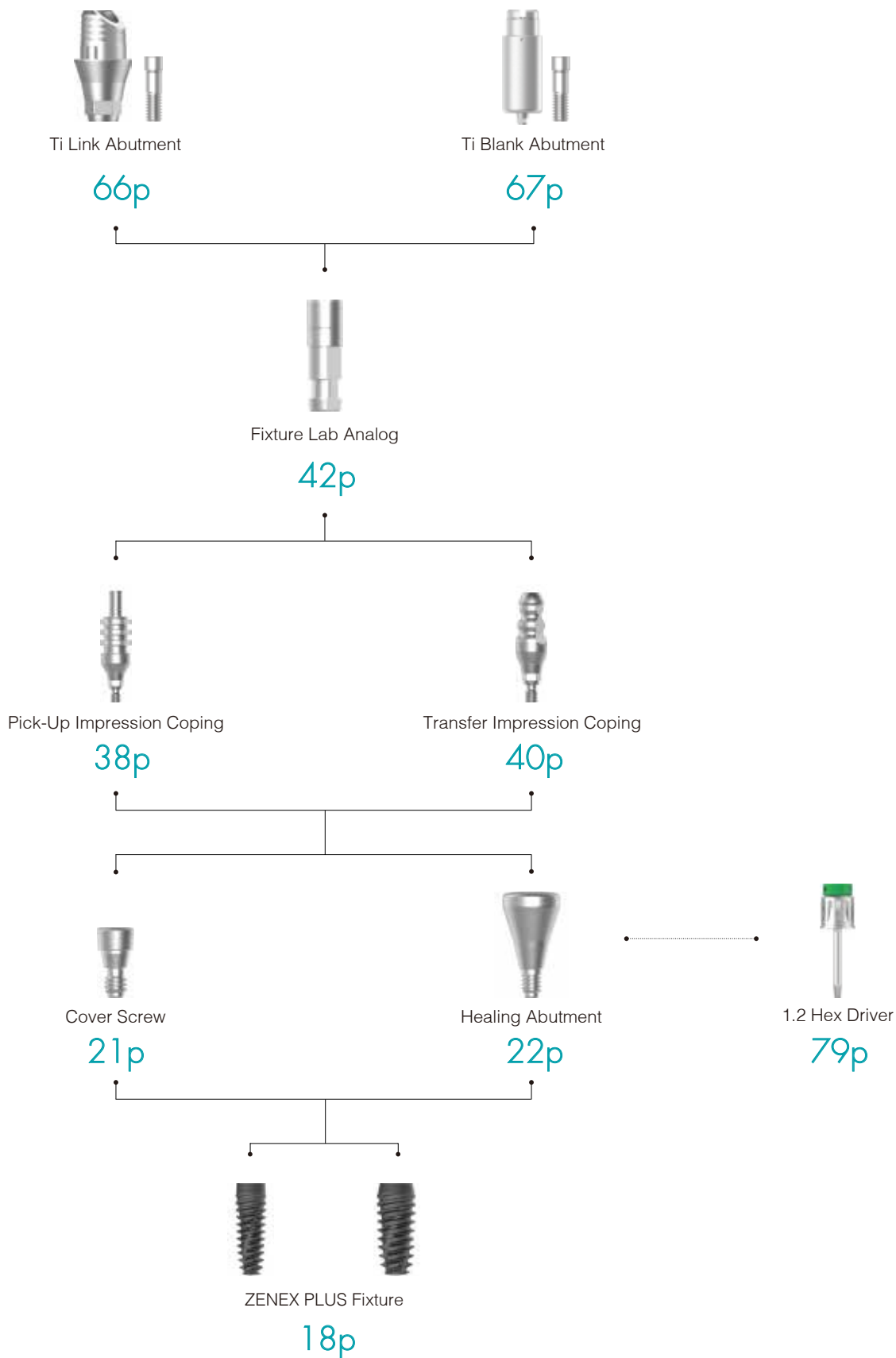
IZEN
I M P L A N T

063
ZENEX
PLUS

064 ZENEX
99 PLUS

IZEN
I M P L A N T

Prosthetic Flow Chart IV



065
ZENEX
PLUS

ScanBody

ScanBody for manufacturing customized Titanium abutment
Use for Oral scan (Model scan available as well)

Tighten with 1.2 Hex Driver by hand

To order as a set as 'ScanBody + ScanBody Screw'
: Product Code + S (ex: ISBR4310S)



06 ZENEX
99 PLUS

Mini
DØ4.0

L : 14mm



ISBM4014



R/W
DØ4.3

L : 10mm



ISBR4310

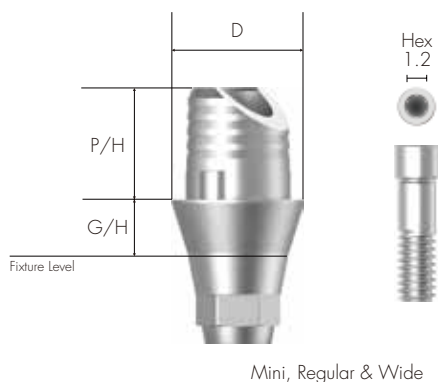


Ti Link Abutment

Abutment for manufacturing Cement/Combination-retained type prosthesis
 For manufacturing custom abutment (Titanium & Zirconia) and crown by CAD/CAM equipment
 Select specification fits for fixture Connection
 Use exclusive library for ZENEX PLUS Implant system
 Fixture Level Impression

Tighten with 1.2 Hex Driver
 Recommended tightening torque: 30Ncm

To order as a set as 'Abutment + Screw'
 : Product Code + S (ex: TLASRH4520S)



067 ZENEX PLUS

M/R/W
 DØ4.5

G/H (mm)	1.0		2.0	
P/H (mm)	3.8			
	Hex	Non-Hex	Hex	Non-Hex
	TLASRH4510	TLASRN4510	TLASRH4520	TLASRN4520

Ti Blank Abutment

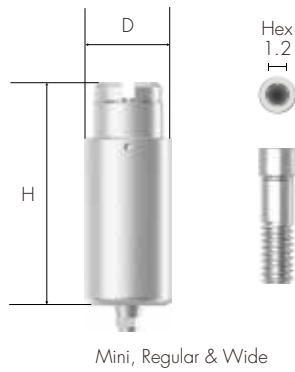
Manufacturing customized abutment with milling machine
 Select specification fits for fixture Connection
 Digital Impression

Tighten with 1.2 Hex Driver

Recommended tightening torque: 30Ncm

Product line-up applied for various milling machine brands
 (Milling machine manufacturer: Doowon, Manix, Vatech, RND)

To order as a set as 'Abutment + Screw'
 : Product Code + S (ex: TBASRH10AS)



068 ZENEX PLUS

For Arum
M/R/W
 DØ10



For Manix
M/R/W
 DØ10

