

Zenex Multi & Plus Kit Zenex Surgery Kit

Zenex Multi & Plus Kit

Zenex Surgery Kit

IZEN
I M P L A N T
izenimplant Co.,Ltd.

IZ-CAT-05 Rev.00 (06/20)

HQ & Factory
1, 2Dong, 26-32, Suworam 4-gil, Seotan-myeon, Pyeongtaek-si,
Gyeonggi-do, Republic of Korea

Sales Office
#1013, #1014 Central-Tower II, 158, Magokseo-ro, Gangseo-gu, Seoul,
Republic of Korea
Tel. +82-2-3664-3666
Fax. +82-31-662-0658


IZEN

www.izenimplant.com

IZEN
I M P L A N T
izenimplant Co.,Ltd.

**Z E N E X
MULTI&PLUS
K I T**

012 Zenex Surgery Kit



IZEN Implant, innovative technology in pursuit of **bright smile**

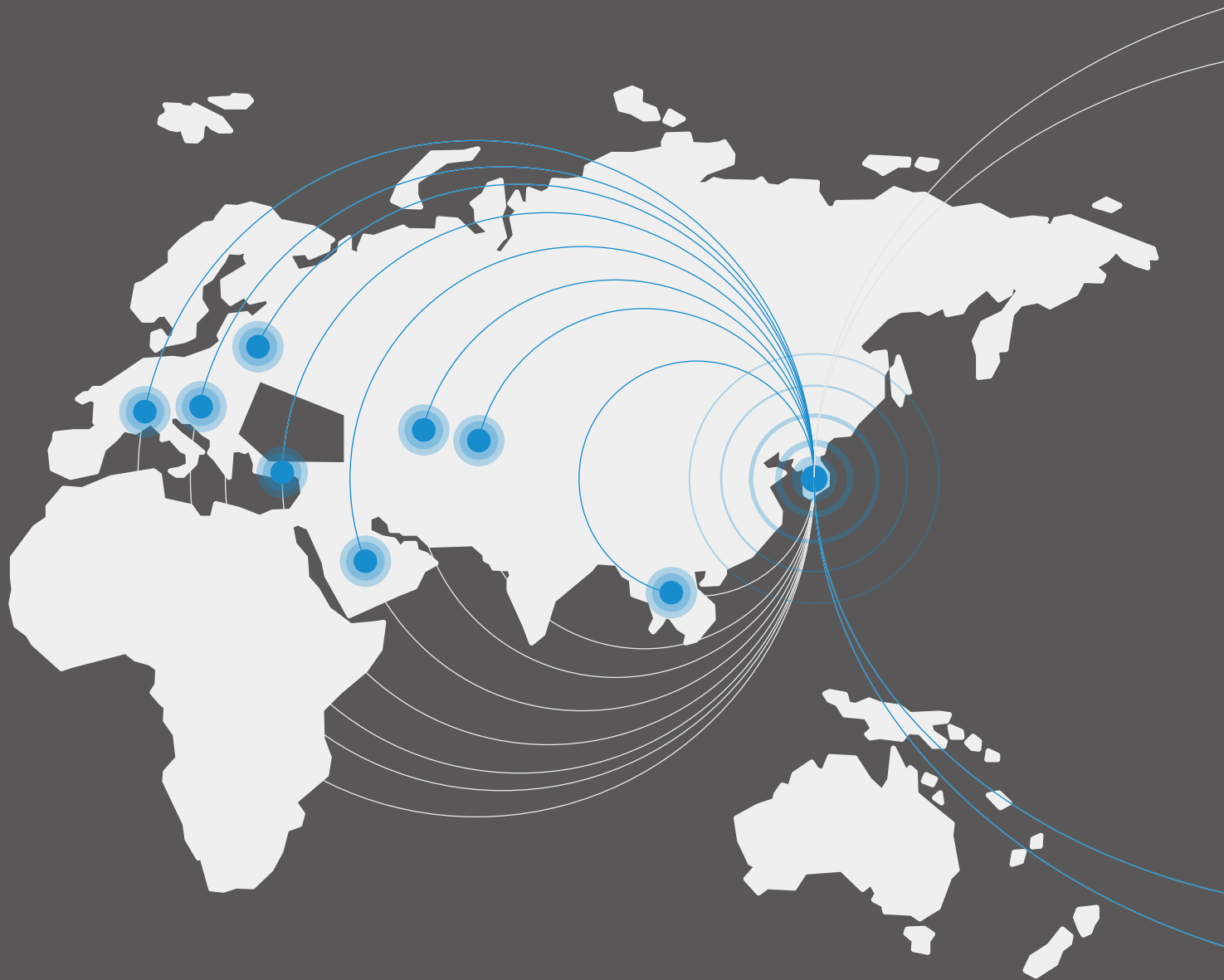
Established in 2016 by developers and researchers who have spent more than 20 years on research and development in dental implants, IZEN Implant have working on developing innovative products to provide the best result to patients. We will continue to grow into a company that meets customers' needs with safe and excellent products made of trust and continuous research and development.

IZEN Implant provides more convenient, stable, and optimized implant system by building product line-up with high-end technology of Zenex Multi and Zenex Plus.

Certification



History & Global Network



2016. 03

Foundation of IZEN Implant

2016. 06

Acquisition of manufacturing licenses for medical devices
Report medical device items
(Screw driver for dental implant surgery, No. 16-760)

2016. 12

Patent registration
(Driver holder and driver apparatus for dental engineering, No. 10-1684959)

2017. 03

Patent registration
(Driver holder for dental apparatus, No. 10-1714533, No. 10-1714541)

2018. 08

Venture Business Certificate
(No. 20180110278)

2018. 09

Foundation of Corporate
Affiliated Research Institute (No. 2018114470)

2019. 06

Acquisition of small businesses
technology development project
(Development of Dental implant abutments and scan body for

2019. 11

Acquisition of ISO13485:2016
(GIS-4058-MD)



2017. 09

Registration of medical devices
(Apparatus for dental implant
surgery, No. 17-1033)

2018. 03

Certification of medical
device items compliance with
manufacturing and quality
control standards (KGMP)

2018. 04

Medical Device Item Certification
(Dental implant abutments, No.
18-4268)

2018. 07

Acquisition of ISO 9001 : 2015
(K-GM-4699)

2019. 12

Patent registration
(Abutment and dental implant,
No. 10-2062575)

Kit Contents

Zenex
Surgery Kit
012



Guide
Drill
014



Lindemann
Drill
014



Drill
Extension
015



Twist
Drill
015



Step
Drill
016



Drill
Stopper
017



Cortical
Drill
017



Direction
Pin
018



Parallel
Pin
019



Fixture
Driver
019



1.2 Hex
Driver
021



Torque
Wrench
021



Depth
Gauge
022



Steel
Bowl
022



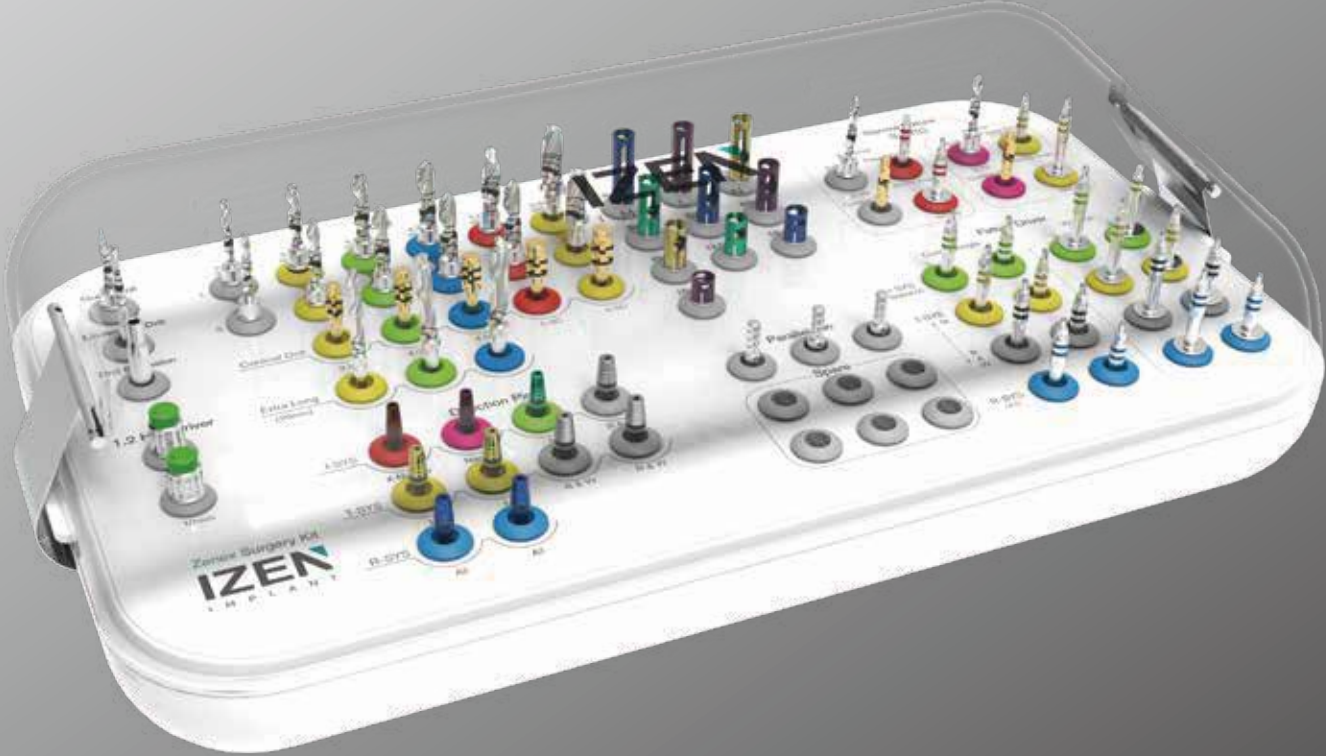
IZEN
I M P L A N T

009
ZENEX
KIT

IZEN
I M P L A N T

ZENEX SURGERY KIT

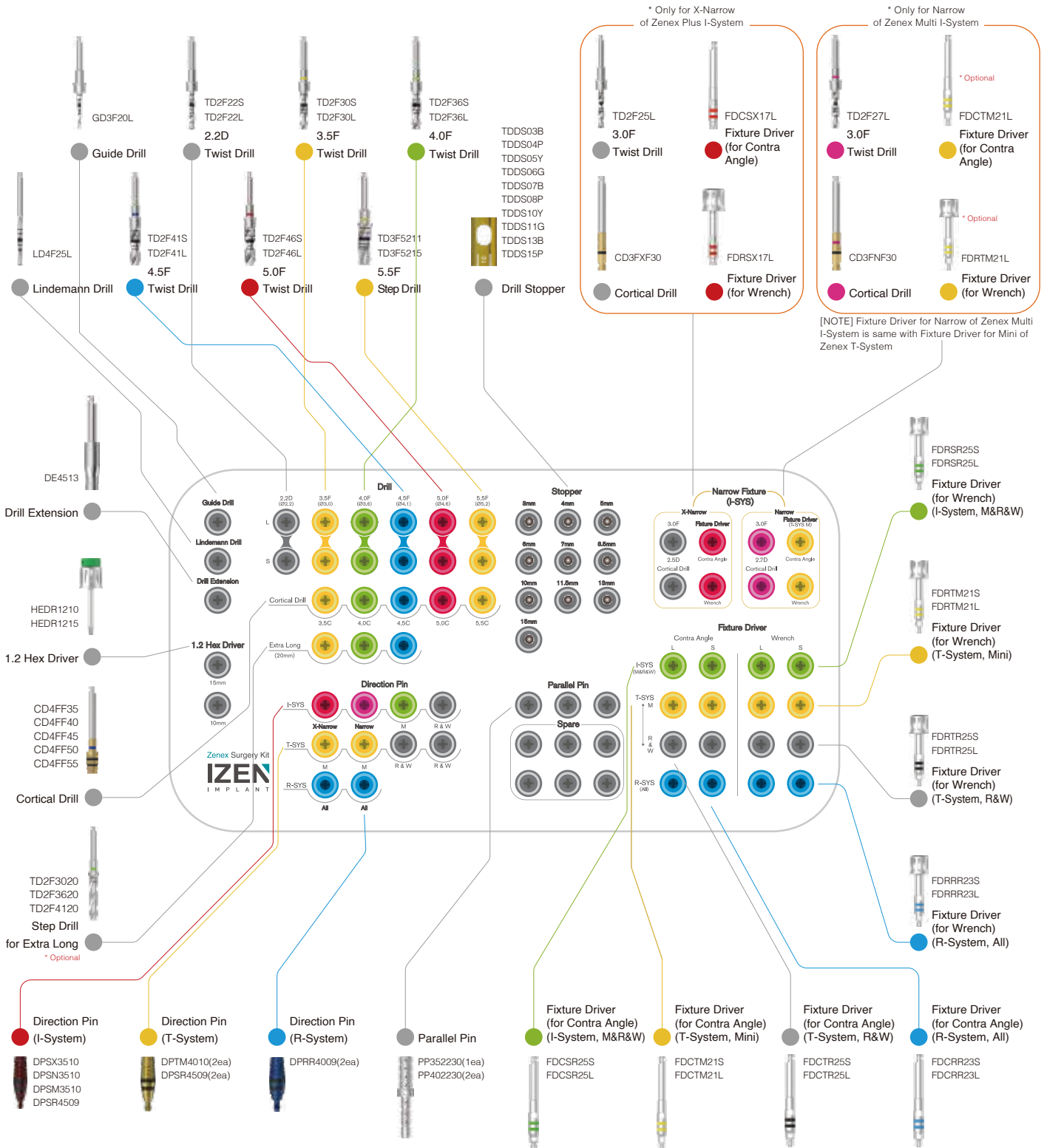
Zenex Surgery Kit



012 ZENEX
KIT

Zenex Surgery Kit

Composition on lower kit tray



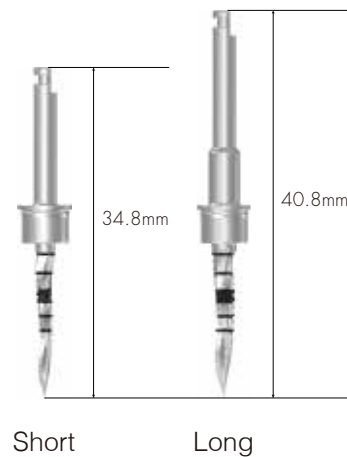
013 ZENEX KIT

Zenex Surgery Kit Instruments

Guide Drill

- Drill to mark base hole on the bone for easy initial drilling
- Available to control drilling depth by using with stopper
- Product Code in the Kit: GD3F20L

D (mm)	Ø1.5 / Ø2.0	
Short	GD3F20S	
Long	GD3F20L	



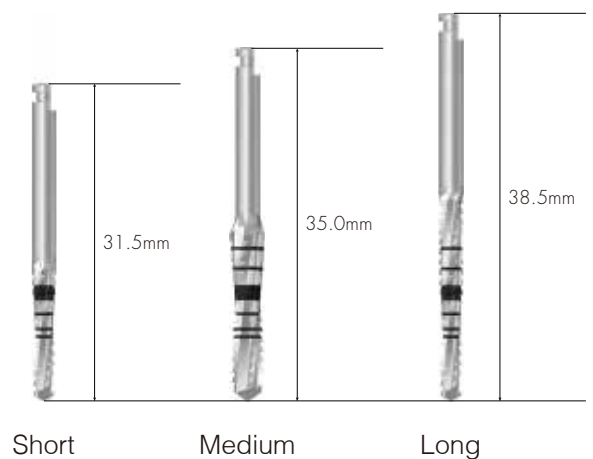
014
ZENEX
KIT

Lindemann Drill

- Outward blades allow side cutting during drilling
- Available to use when removing ridge part of extraction socket
- Product Code in the Kit: LD4F25L

D (mm)	Ø1.5 / Ø2.0	Ø2.0 / Ø2.5
Short	LD4F20S	LD4F25S
Long	LD4F20L	LD4F25L

D (mm)	Ø3.0 / Ø3.5	
Medium	LD4F35M	



Drill Extension

- Lengthen surgical instrument in use by connecting to drill and Implant motor
- Be sure to use after accurate connection to prevent product detachment or bending that connected to Drill Extension

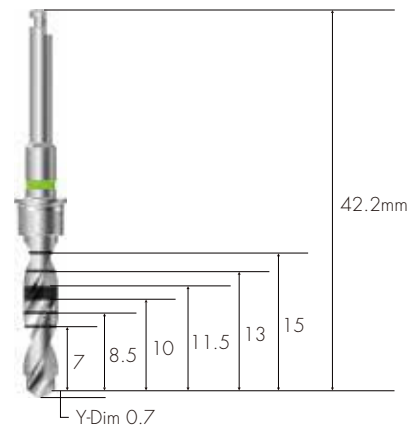
DE4513



Twist Drill

- Straight drill to shorten surgery steps
- Available to drill to desired depth by attaching stopper (marking line matches with stopper connection)
- Be sure to use stopper since depth control may be difficult due to excellent cutting power.
- Drill of 3.0F (Ø2.2/ 2.5) is applied only for X-Narrow of Zenex Plus I-System. (Product code in the Kit : TD2F25L)
- Drill of 3.0F (Ø2.2/ 2.7) is applied only for Narrow of Zenex Multi I-System. (Product code in the Kit : TD2F27L)

*Optional



015
ZENEX
KIT

D (mm)	2.2D (Ø1.8/ Ø2.2)	3.0F (Ø2.2 / Ø2.5)	3.0F (Ø2.2 / Ø2.7)	3.5F (Ø2.2 / Ø3.0)
Short	TD2F22S	TD2F25S*	TD2F27S*	TD2F30S
Long	TD2F22L	TD2F25L	TD2F27L	TD2F30L
D (mm)	4.0F (Ø3.0 / Ø3.6)	4.5F (Ø3.0 / Ø3.6 / Ø4.1)	5.0F (Ø3.0 / Ø4.1 / Ø4.6)	
Short	TD2F36S	TD2F41S	TD2F46S	
Long	TD2F36L	TD2F41L	TD2F46L	

Zenex Surgery Kit Instruments

Step Drill

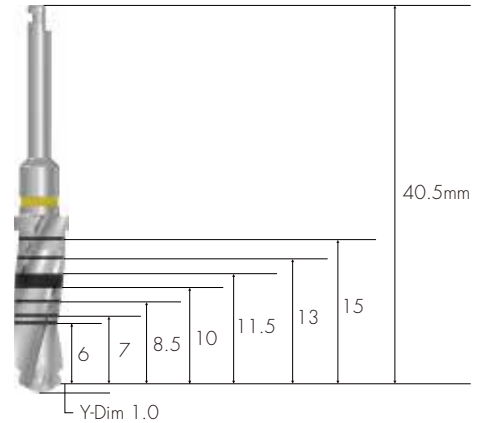
- Straight drill to shorten surgery steps
- As stopper is applied in the drill, secure to use although depth control may be difficult due to excellent cutting power
- Colored line on grip part of drill indicates diameter of drill and matching fixture size

- Two kinds of 5.5F Drill ($\varnothing 4.6 / \varnothing 5.2$) are included.

5.5F
L (mm) $(\varnothing 4.6 / \varnothing 5.2)$

11.5 TD3F5211

15.0 TD3F5215



- Optional extras: Three kinds of step drill for 20mm extra long



3.5F
L (mm) $(\varnothing 2.2 / \varnothing 3.0)$

20.0

TD2F3020



4.0F
L (mm) $(\varnothing 3.0 / \varnothing 3.6)$

TD2F3620

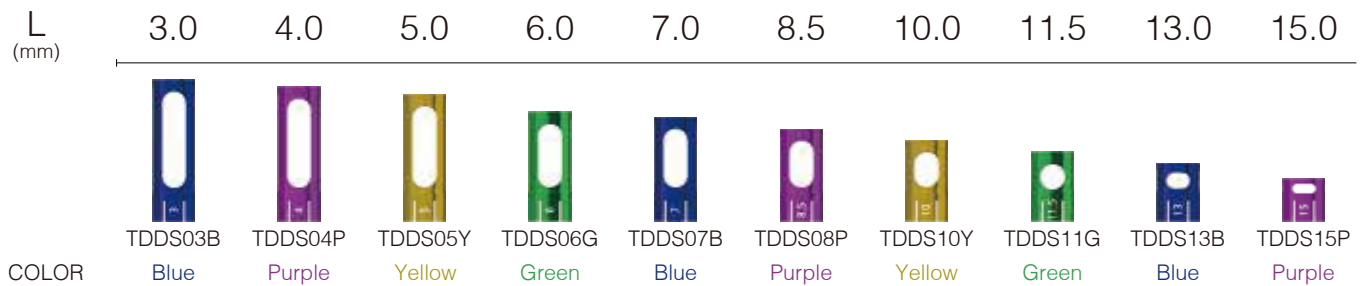


4.5F
L (mm) $(\varnothing 3.0 / \varnothing 3.6 / \varnothing 4.1)$

TD2F4120

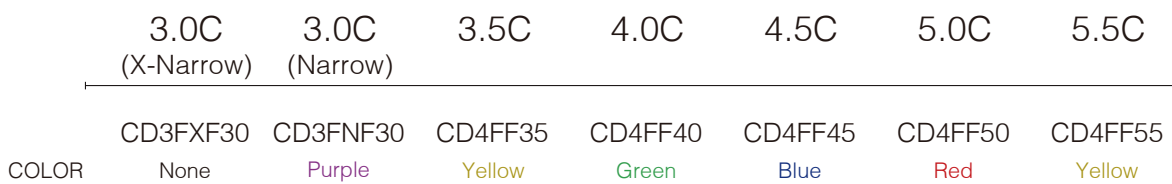
Drill Stopper

- Indicated number on each stopper means exposed length, excluding head of drill (Y-Dim) when connected to drill
- Differentiate color by length for easy identification



Cortical Drill





- Drill used for removing cortical bone from hard bone
- Drill to the bottom of each marking line
- The lower marking line is for drilling on normal bone and the upper marking line is for drilling on hard bone



Zenex Surgery Kit Instruments

Direction Pin

- Confirm gingiva height and path after implant placement
- DPSR4509: Available to use in case of Zenex I-System (Regular & Wide) and Zenex T-System (Regular & Wide)

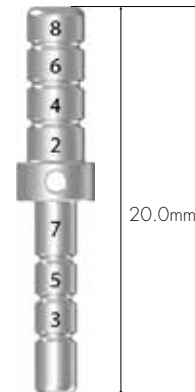
I-System	X-Narrow (Ø3.5)	Narrow (Ø3.5)	Mini (Ø3.5)	R/W (Ø4.5)
				
	DPSX3510	DPSN3510	DPSM3510	DPSR4509
COLOR	Red	Purple	Green	Metal

- For Zenex Multi I-System (based on connection): Narrow, Mini, Regular & Wide
- For Zenex Plus I-System (based on connection): X-Narrow, Mini, Regular & Wide

T-System	Mini (Ø3.5)	R/W (Ø4.5)	R-System	M/R/W (Ø4.0)
				
	DPTM4010	DPSR4509		DPRR4009
COLOR	Yellow	Metal	COLOR	Blue

Parallel Pin

- Used for confirmation of drilling depth and path
- Available to use after drilling with Ø2.2 Drill and Ø3.0 drill
- Composition in the kit: PP352230 (1 ea) + PP402230 (2 ea)



D (mm)	Ø3.5	Ø4.0	Ø5.0	Ø6.0
	PP352230	PP402230	PP502230	PP602230

Fixture Driver

- For Contra Angle: Directly attached to fixture by connecting to handpiece when using Implant motor
- For Wrench: Directly attached to fixture by using Torque Wrench
- Two-staged coloring enables measurement up to 5mm height at 1mm intervals
- Be sure to use after accurate connection because once used with incorrectly connected driver, it is impossible to remove fixture.
- Be sure to use accurate fixture driver according to the system of fixture.
- ※ Fixture Driver for Narrow of Zenex Multi I-System: Same with Mini of Zenex T-System (Optional)
- ※ Code not included in the FDCTX17S, FDRSX17S, All four drivers for Narrow of Zenex Multi I-System (FDCTM21S, FDCTM21L, FDRTM21S, FDRTM21L)

01 ZENEX KIT

I-System

Contra Angle



X-Narrow Narrow M/R/W

Wrench



X-Narrow Narrow M/R/W

Short	FDCSX17S	FDCTM21S	FDCSR25S	FDRSX17S	FDRTM21S	FDRSR25S
	FDCSX17L	FDCTM21L	FDCSR25L	FDRSX17L	FDRTM21L	FDRSR25L
COLOR	Red	Yellow	Green	Red	Yellow	Green

- For Zenex Multi I-System (based on connection): Narrow, Mini, Regular & Wide
- For Zenex Plus I-System (based on connection): X-Narrow, Mini, Regular & Wide

Zenex Surgery Kit Instruments

T-System

Contra Angle



Mini

R/W

Wrench



Mini

R/W

Short

Long

COLOR

FDCTM21S

FDCTR25S

FDRTM21S

FDRTR25S

FDCTM21L

FDCTR25L

FDRTM21L

FDRTR25L

Yellow

Black

Yellow

Black

R-System

Contra Angle



M/R/W

Wrench



M/R/W

Short

Long

COLOR

FDCRR23S

FDRRR23S

FDCRR23L

FDRRR23L

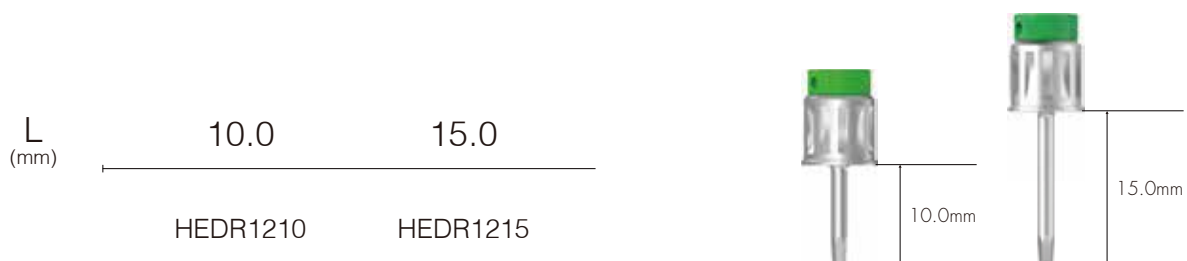
Blue

Blue

020 ZENEX KIT

1.2 Hex Driver

- Driver for connecting with Torque Wrench
- Used for connecting to cover screw and surgical instrument with 1.2 Hex
- Follow recommended tightening torque calculation value
- Be sure to check transformation of Hex tip before use



Torque Wrench

- Used for placing fixture and tightening implant abutments and screws
- Confirm torque calculation value by pulling the bar to be aligned with the marked line
- Recommended to use by pressing head to prevent detachment of Torque Wrench and surgical instruments



TW60B

Zenex Surgery Kit Instruments

Depth Gauge

- Measuring drilling depth
- Measurable depth: 6~20mm



DG1720

Steel Bowl

- Used for cleaning surgery instruments

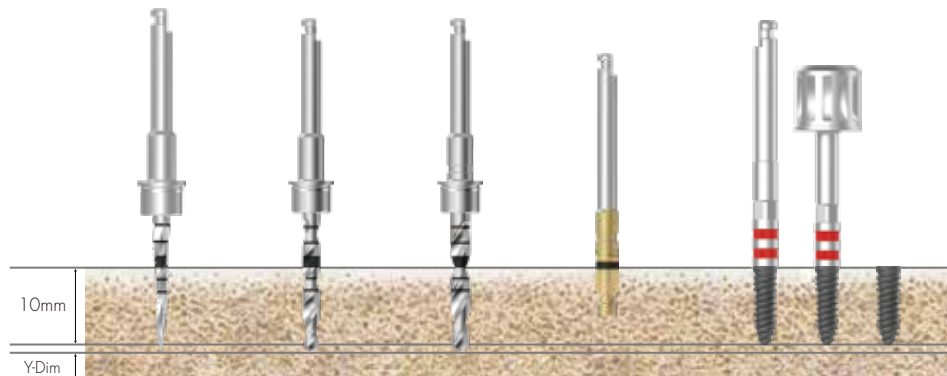


STBOWL

Drilling Sequence

Ø 3.0mm Fixture

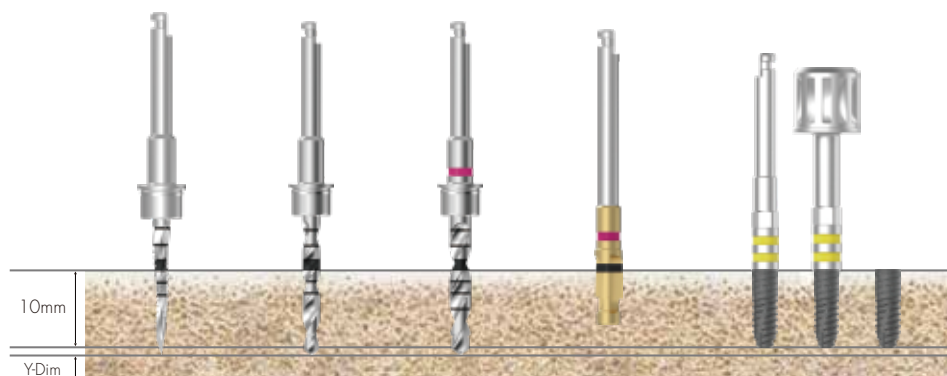
(Zenex Plus I-System X-Narrow)



Bone Quality	Guide Drill	Twist Drill (Ø2.2)	Twist Drill (Ø2.5)	Cortical Drill	Ø3.0 Fixture
Soft	▶	▶			Implant Placement
Normal	▶	▶	▶		
Hard	▶	▶	▶	▶	

Ø 3.0mm Fixture

(Zenex Multi I-System Narrow)

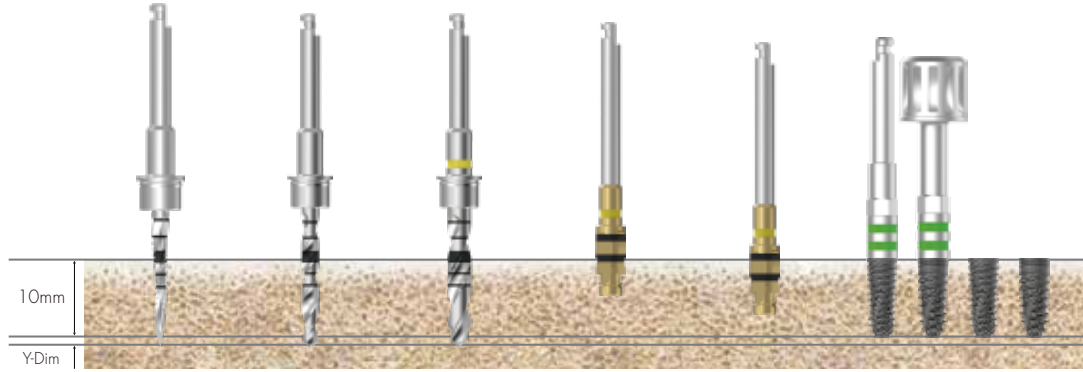


Bone Quality	Guide Drill	Twist Drill (Ø2.2)	Twist Drill (Ø2.7)	Cortical Drill	Ø3.0 Fixture
Soft	▶	▶			Implant Placement
Normal	▶	▶	▶		
Hard	▶	▶	▶	▶	

Drilling Sequence

Ø 3.5mm Fixture

(Zenex Multi & Plus I-System Mini)

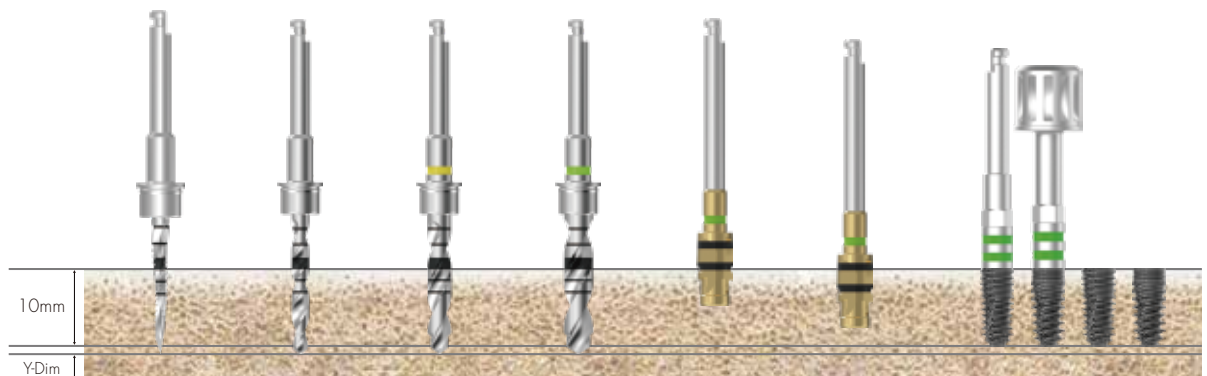


Bone Quality	Guide Drill	Twist Drill (Ø2.2)	Twist Drill (Ø3.0)	Cortical Drill (Lower Line)	Cortical Drill (Upper Line)	Ø3.5 Fixture
Soft	▶	▶	▶			Implant Placement
Normal	▶	▶	▶	▶		
Hard	▶	▶	▶		▶	

024 ZENEX KIT

Ø 4.0mm Fixture

(Zenex Multi & Plus I-System Regular)

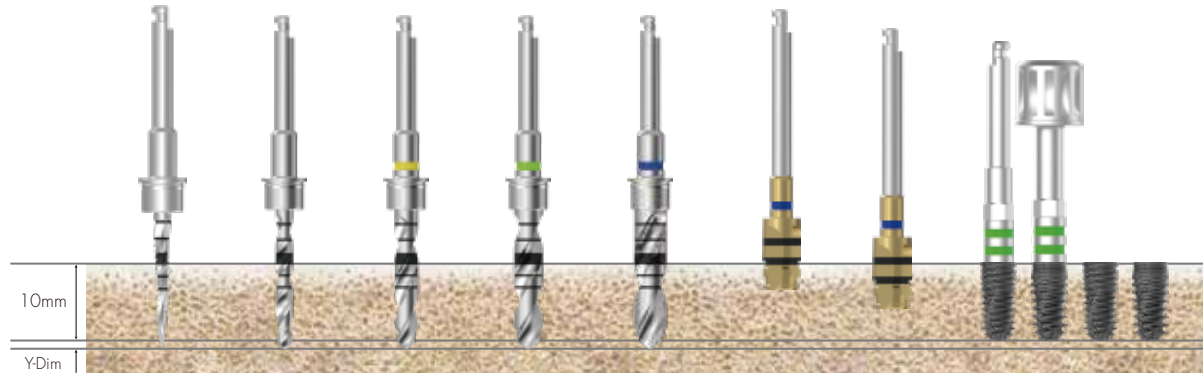


Bone Quality	Guide Drill	Twist Drill (Ø2.2)	Twist Drill (Ø3.0)	Twist Drill (Ø3.6)	Cortical Drill (Lower Line)	Cortical Drill (Upper Line)	Ø4.0 Fixture
Soft	▶	▶	▶	▶			Implant Placement
Normal	▶	▶	▶	▶	▶		
Hard	▶	▶	▶	▶		▶	

Drilling Sequence

Ø 4.5mm Fixture

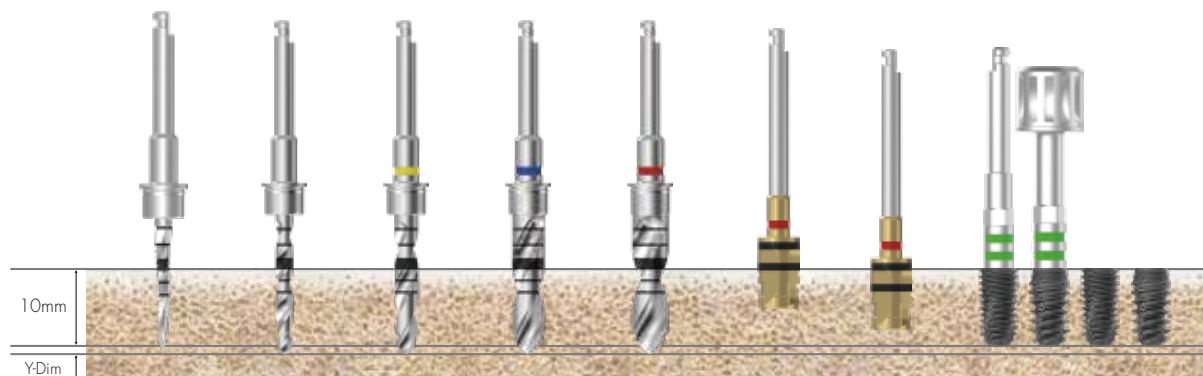
(Zenex Multi & Plus I-System Regular)



Bone Quality	Guide Drill	Twist Drill (Ø2.2)	Twist Drill (Ø3.0)	Twist Drill (Ø3.6)	Twist Drill (Ø4.1)	Cortical Drill (Lower Line)	Cortical Drill (Upper Line)	Ø4.5 Fixture
Soft	▶	▶	▶	▶	▶			Implant Placement
Normal	▶	▶	▶	▶	▶	▶		
Hard	▶	▶	▶	▶	▶		▶	

Ø 5.0mm Fixture

(Zenex Multi & Plus I-System Wide)

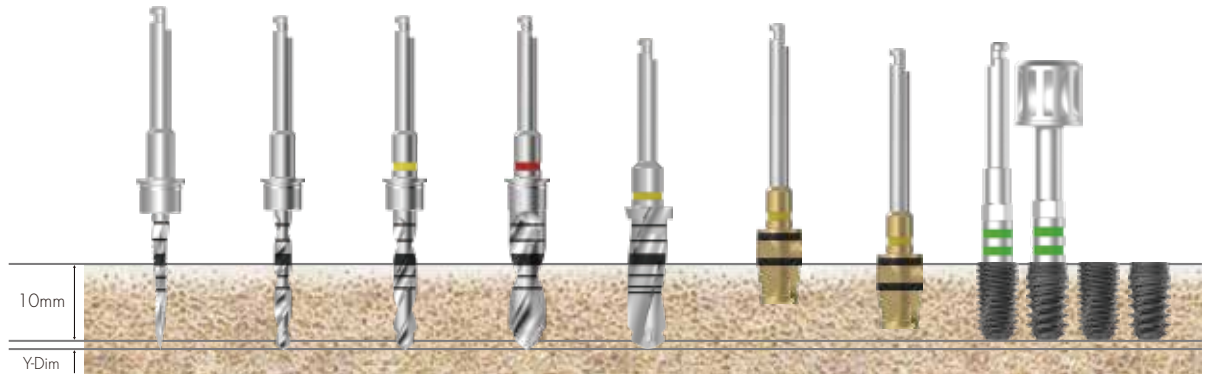


Bone Quality	Guide Drill	Twist Drill (Ø2.2)	Twist Drill (Ø3.0)	Twist Drill (Ø4.1)	Twist Drill (Ø4.6)	Cortical Drill (Lower Line)	Cortical Drill (Upper Line)	Ø5.0 Fixture
Soft	▶	▶	▶	▶	▶			Implant Placement
Normal	▶	▶	▶	▶	▶	▶		
Hard	▶	▶	▶	▶	▶		▶	

Drilling Sequence

Ø 5.5mm Fixture

(Zenex Multi & Plus I-System Wide)

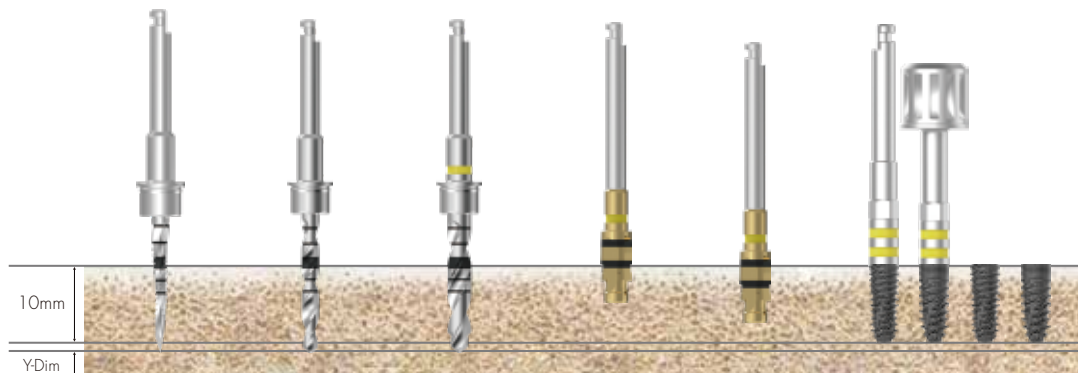


Bone Quality	Guide Drill	Twist Drill (Ø2.2)	Twist Drill (Ø3.0)	Twist Drill (Ø4.6)	Step Drill (Ø5.2)	Cortical Drill (Lower Line)	Cortical Drill (Upper Line)	Ø5.5 Fixture
Soft	▶	▶	▶	▶	▶			Implant Placement
Normal	▶	▶	▶	▶	▶	▶		
Hard	▶	▶	▶	▶	▶		▶	

Drilling Sequence

Ø 3.5mm Fixture

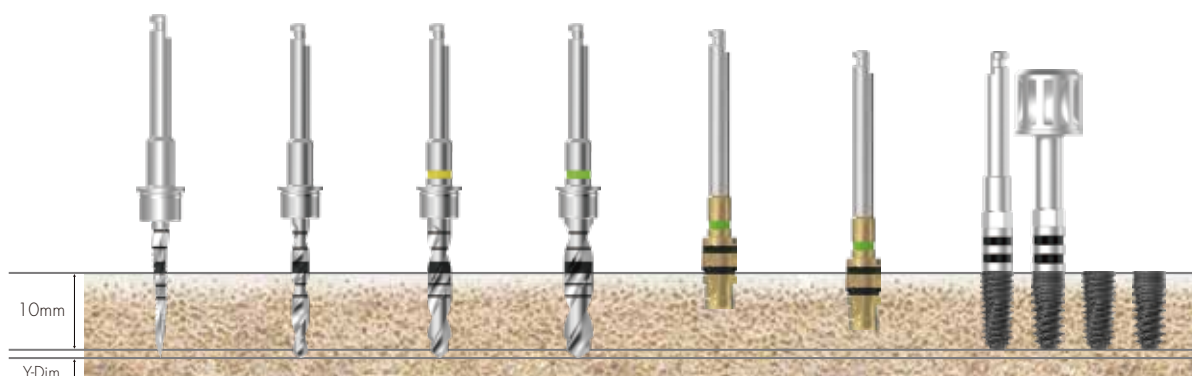
(Zenex Multi & Plus T-System Mini)



Bone Quality	Guide Drill	Twist Drill (Ø2.2)	Twist Drill (Ø3.0)	Cortical Drill (Lower Line)	Cortical Drill (Upper Line)	Ø3.5 Fixture
Soft	▶	▶	▶			Implant Placement
Normal	▶	▶	▶	▶		
Hard	▶	▶	▶		▶	

Ø 4.0mm Fixture

(Zenex Multi & Plus T-System Regular)

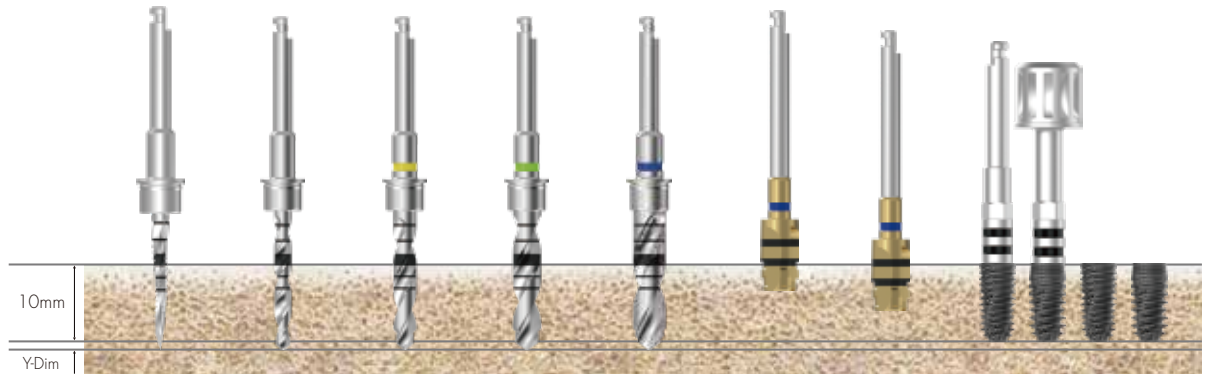


Bone Quality	Guide Drill	Twist Drill (Ø2.2)	Twist Drill (Ø3.0)	Twist Drill (Ø3.6)	Cortical Drill (Lower Line)	Cortical Drill (Upper Line)	Ø4.0 Fixture
Soft	▶	▶	▶	▶			Implant Placement
Normal	▶	▶	▶	▶	▶		
Hard	▶	▶	▶	▶		▶	

Drilling Sequence

Ø 4.5mm Fixture

(Zenex Multi & Plus T-System Regular)

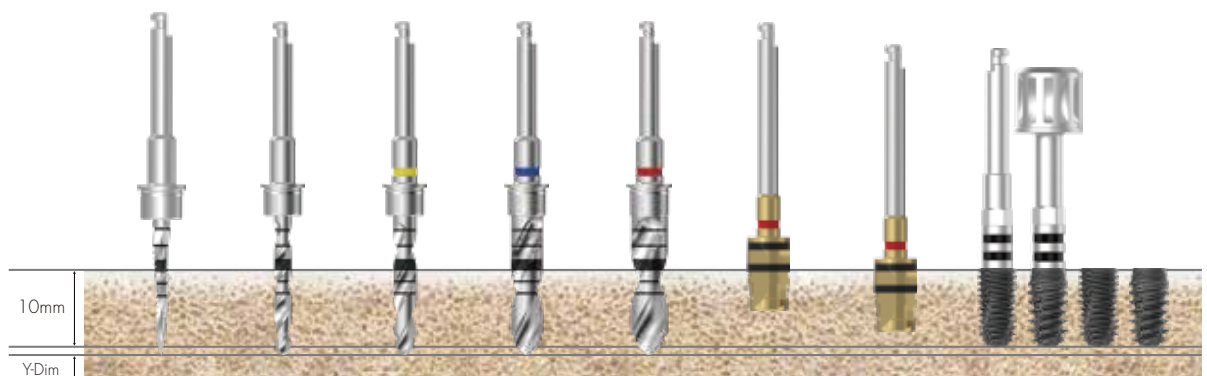


Bone Quality	Guide Drill	Twist Drill (Ø2.2)	Twist Drill (Ø3.0)	Twist Drill (Ø3.6)	Twist Drill (Ø4.1)	Cortical Drill (Lower Line)	Cortical Drill (Upper Line)	Ø4.5 Fixture
Soft	▶	▶	▶	▶	▶			Implant Placement
Normal	▶	▶	▶	▶	▶	▶		
Hard	▶	▶	▶	▶	▶		▶	

028
ZENEX
KIT

Ø 5.0mm Fixture

(Zenex Multi & Plus T-System Wide)

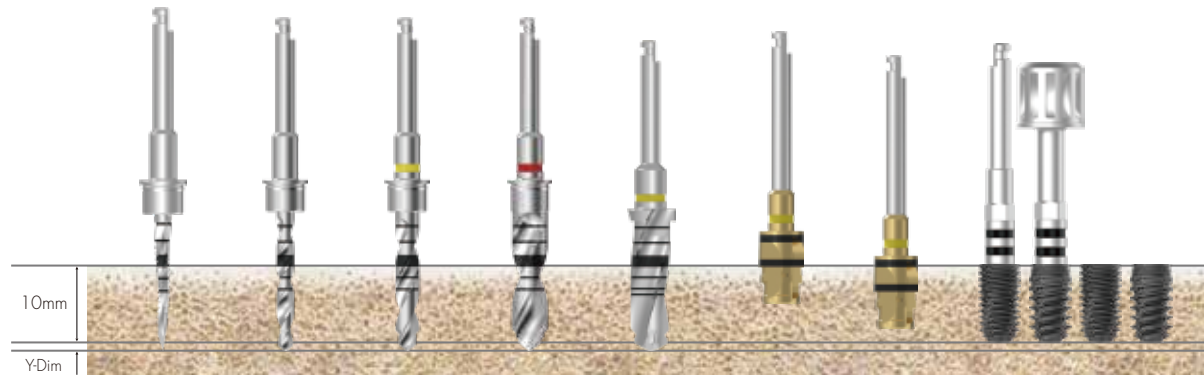


Bone Quality	Guide Drill	Twist Drill (Ø2.2)	Twist Drill (Ø3.0)	Twist Drill (Ø4.1)	Twist Drill (Ø4.6)	Cortical Drill (Lower Line)	Cortical Drill (Upper Line)	Ø5.0 Fixture
Soft	▶	▶	▶	▶	▶			Implant Placement
Normal	▶	▶	▶	▶	▶	▶		
Hard	▶	▶	▶	▶	▶		▶	

Drilling Sequence

Ø 5.5mm Fixture

(Zenex Multi & Plus T-System Wide)

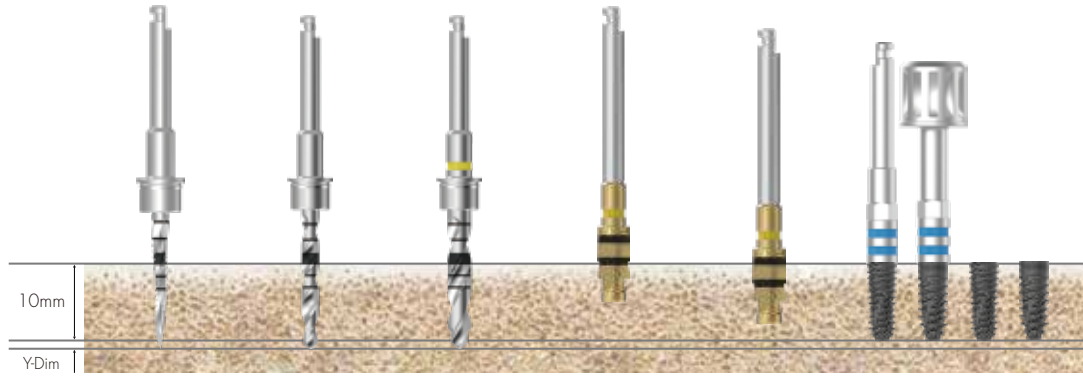


Bone Quality	Guide Drill	Twist Drill (Ø2.2)	Twist Drill (Ø3.0)	Twist Drill (Ø4.6)	Step Drill (Ø5.2)	Cortical Drill (Lower Line)	Cortical Drill (Upper Line)	Ø5.5 Fixture
Soft	▶	▶	▶	▶	▶			
Normal	▶	▶	▶	▶	▶	▶		Implant Placement
Hard	▶	▶	▶	▶	▶		▶	

Drilling Sequence

Ø 3.5mm Fixture

(Zenex Multi & Plus R-System Mini)

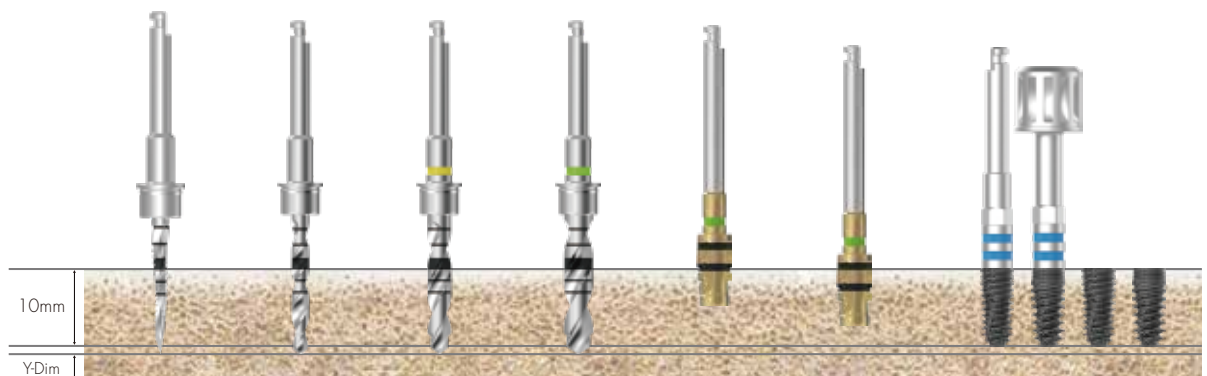


Bone Quality	Guide Drill	Twist Drill (Ø2.2)	Twist Drill (Ø3.0)	Cortical Drill (Lower Line)	Cortical Drill (Upper Line)	Ø3.5 Fixture
Soft	▶	▶	▶			Implant Placement
Normal	▶	▶	▶	▶		
Hard	▶	▶	▶		▶	

030
ZENEX
KIT

Ø 4.0mm Fixture

(Zenex Multi & Plus R-System Regular)

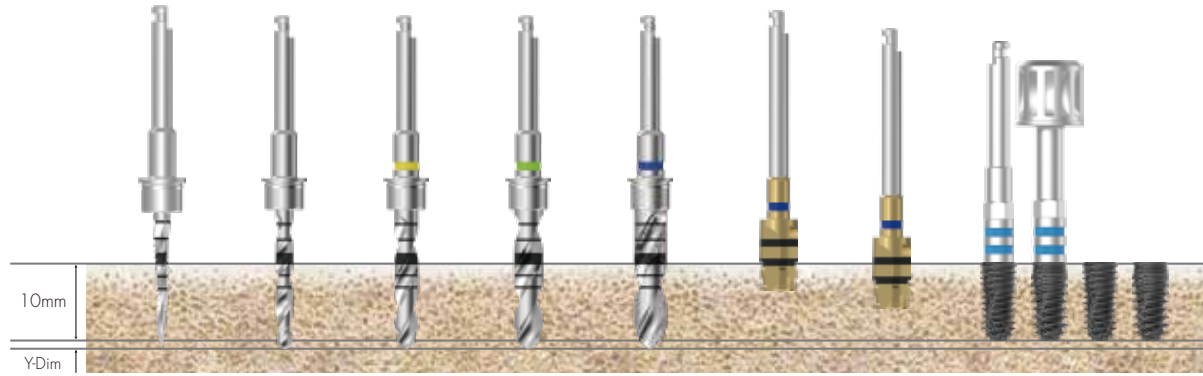


Bone Quality	Guide Drill	Twist Drill (Ø2.2)	Twist Drill (Ø3.0)	Twist Drill (Ø3.6)	Cortical Drill (Lower Line)	Cortical Drill (Upper Line)	Ø4.0 Fixture
Soft	▶	▶	▶	▶			Implant Placement
Normal	▶	▶	▶	▶	▶		
Hard	▶	▶	▶	▶		▶	

Drilling Sequence

Ø 4.5mm Fixture

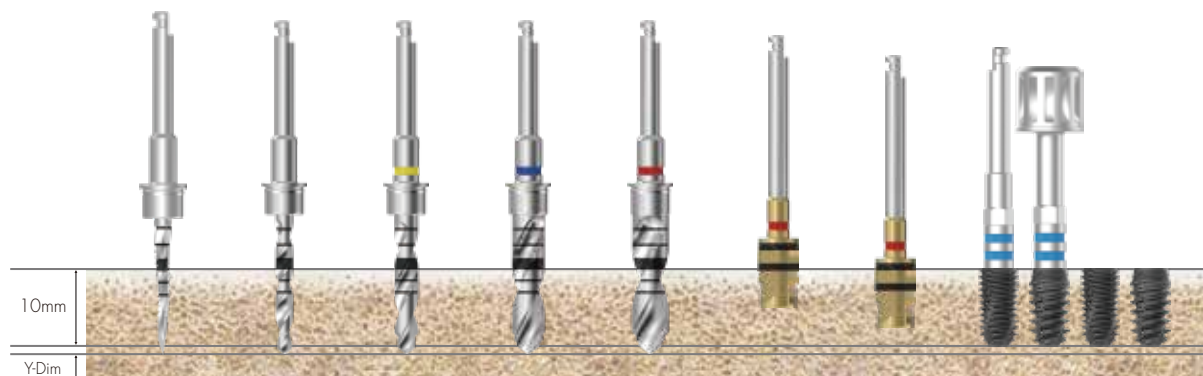
(Zenex Multi & Plus R-System Regular)



Bone Quality	Guide Drill	Twist Drill (Ø2.2)	Twist Drill (Ø3.0)	Twist Drill (Ø3.6)	Twist Drill (Ø4.1)	Cortical Drill (Lower Line)	Cortical Drill (Upper Line)	Ø4.5 Fixture
Soft	▶	▶	▶	▶	▶			Implant Placement
Normal	▶	▶	▶	▶	▶	▶		
Hard	▶	▶	▶	▶	▶		▶	

Ø 5.0mm Fixture

(Zenex Multi & Plus R-System Wide)

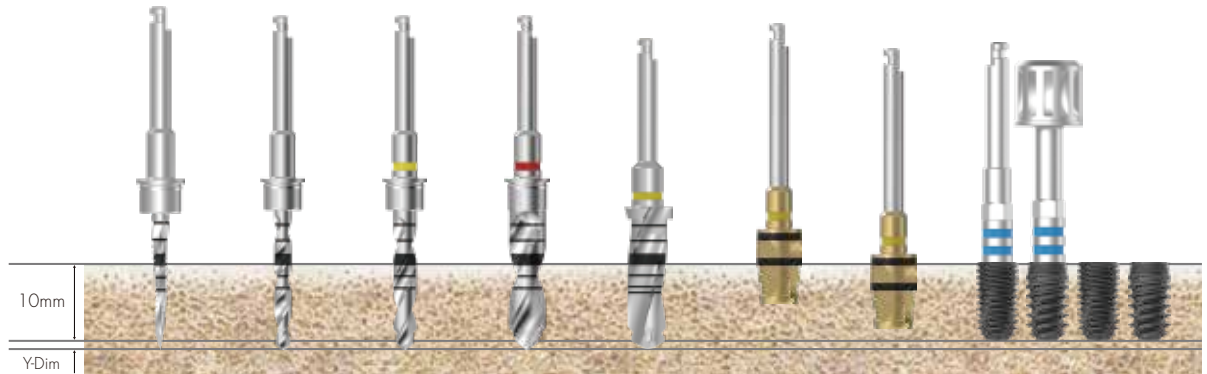


Bone Quality	Guide Drill	Twist Drill (Ø2.2)	Twist Drill (Ø3.0)	Twist Drill (Ø4.1)	Twist Drill (Ø4.6)	Cortical Drill (Lower Line)	Cortical Drill (Upper Line)	Ø5.0 Fixture
Soft	▶	▶	▶	▶	▶			Implant Placement
Normal	▶	▶	▶	▶	▶	▶		
Hard	▶	▶	▶	▶	▶		▶	

Drilling Sequence

Ø 5.5mm Fixture

(Zenex Multi & Plus R-System Wide)



Bone Quality	Guide Drill	Twist Drill (Ø2.2)	Twist Drill (Ø3.0)	Twist Drill (Ø4.6)	Step Drill (Ø5.2)	Cortical Drill (Lower Line)	Cortical Drill (Upper Line)	Ø5.5 Fixture
Soft	▶	▶	▶	▶	▶			Implant Placement
Normal	▶	▶	▶	▶	▶	▶		
Hard	▶	▶	▶	▶	▶		▶	