

Zenex Plus R-System

Zenex Plus R-System

IZEN
I M P L A N T
izenimplant Co.,Ltd.

HQ & Factory
1, 2Dong, 26-32, Suworam 4-gil, Seotan-myeon, Pyeongtaek-si,
Gyeonggi-do, Republic of Korea

Sales Office
#1013, #1014 Central-Tower II, 158, Magokseo-ro, Gangseo-gu, Seoul,
Republic of Korea
Tel. +82-2-3664-3666
Fax. +82-31-662-0658


IZEN

www.izenimplant.com

IZEN
I M P L A N T
izenimplant Co.,Ltd.

**Z E N E X
I M P L A N T
S Y S T E M**

016 Zenex Plus R-System

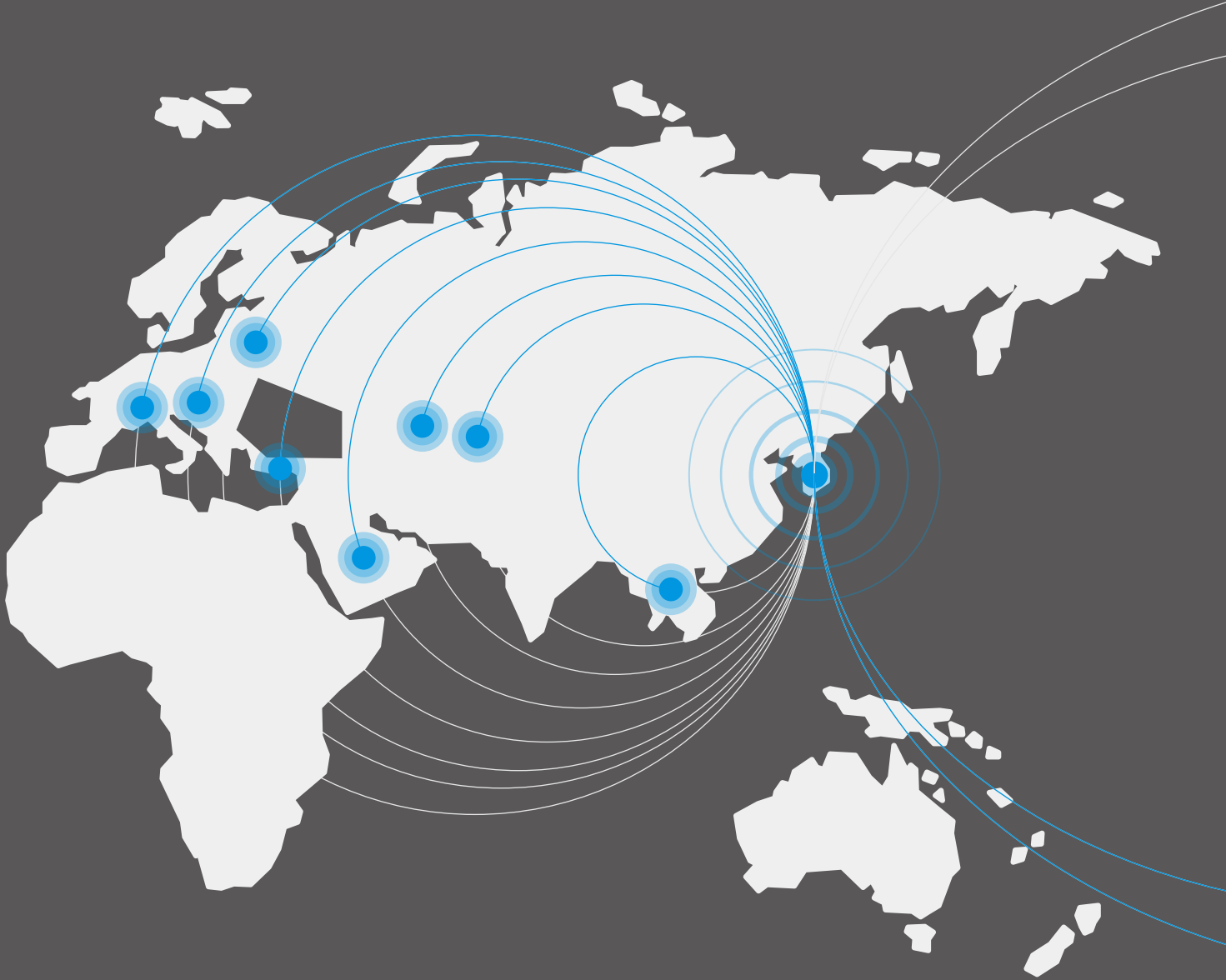


IZEN Implant, innovative technology in pursuit of **bright smile**

Established in 2016 by developers and researchers who have spent more than 20 years on research and development in dental implants, IZEN Implant have working on developing innovative products to provide the best result to patients. We will continue to grow into a company that meets customers' needs with safe and excellent products made of trust and continuous research and development.

IZEN Implant provides more convenient, stable, and optimized implant system by building product line-up with high-end technology of Zenex Multi and Zenex Plus.

History & Global Network



2016. 03

Foundation of IZEN Implant

2016. 06

Acquisition of manufacturing licenses for medical devices
Report medical device items
(Screw driver for dental implant surgery, No. 16-760)

2016. 12

Patent registration
(Driver holder and driver apparatus for dental engineering, No. 10-1684959)

2017. 03

Patent registration
(Driver holder for dental apparatus, No. 10-1714533, No. 10-1714541)

2018. 08

Venture Business Certificate
(No. 20180110278)

2018. 09

Foundation of Corporate
Affiliated Research Institute (No. 2018114470)

2019. 06

Acquisition of small businesses
technology development project
(Development of Dental implant abutments and scan body for

2019. 11

Acquisition of ISO13485:2016
(GIS-4058-MD)



2017. 09

Registration of medical devices
(Apparatus for dental implant
surgery, No. 17-1033)

2018. 03

Certification of medical
device items compliance with
manufacturing and quality
control standards (KGMP)

2018. 04

Medical Device Item Certification
(Dental implant abutments, No.
18-4268)

2018. 07

Acquisition of ISO 9001 : 2015
(K-GM-4699)

2019. 12

Patent registration
(Abutment and dental implant,
No. 10-2062575)

Zenex Plus R-System Contents

ZENEX PLUS
R-System Fixture
016



Fixture Cover
Screw
018



Healing
Abutment
019



Temporary
Abutment
024



Cemented
Abutment
025



Angled
Abutment
027



FreeMilling
Abutment
030



CCM Cast
Abutment
032



Pick-Up
Impression
Coping
033



Transfer
Impression
Coping
035



Fixture Lab
Analog
037



Multi Straight
Abutment
040



Multi Angled
Abutment
041



Multi Temporary
Cylinder
042



Multi CCM
Cast Cylinder
042



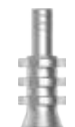
Multi Plastic
Cast Cylinder
043



Multi Ti-Link
Cylinder
043



Multi Pick-Up
Impression
Coping
044



Multi Transfer
Impression
Coping
044



Multi
Lab Analog
045



Multi
Healing Cap
045



Multi Straight
Abutment Driver
046



Ball
Abutment
050



Ball Abutment
Cap Set
051



Ball Abutment
Retainer Set
051



Ball Abutment
O-ring Set
052



Ball Abutment
Lab Analog
052



Ball Abutment
Driver
053



Kerator
Abutment
054



Kerator Angled
Abutment
055



Kerator
CDPH Set
056



Kerator
Male Cap
056



Kerator
Magic Tool
057



Kerator
Torque Tip
057



Kerator
Impression
Coping
058



Kerator Lab
Analog
058



ScanBody
062



Ti-Link
Abutment
063



Ti-Blank
Abutment
064



IZEN
I M P L A N T

010 ZENEX
PLUS

ZENEX PLUS
R-System

ZENEX PLUS R-System

COMPOSITION

016 ZENEX PLUS R-System Fixture

018 Fixture Cover Screw

019 Healing Abutment

023 PROSTHETIC FLOW CHART I

024 Temporary Abutment

025 Cemented Abutment

027 Angled Abutment

030 FreeMilling Abutment

032 CCM Cast Abutment

033 Pick-Up Impression Coping

035 Transfer Impression Coping

037 Fixture Lab Analog

039 PROSTHETIC FLOW CHART II

040 Multi Straight Abutment

041 Multi Angled Abutment

042 Components of Multi Abutment

049 PROSTHETIC FLOW CHART III

050 Ball Abutment

051 Components of Ball Abutment

054 Kerator Abutment

055 Kerator Angled Abutment

056 Components of Kerator Abutment

061 PROSTHETIC FLOW CHART IV

062 ScanBody

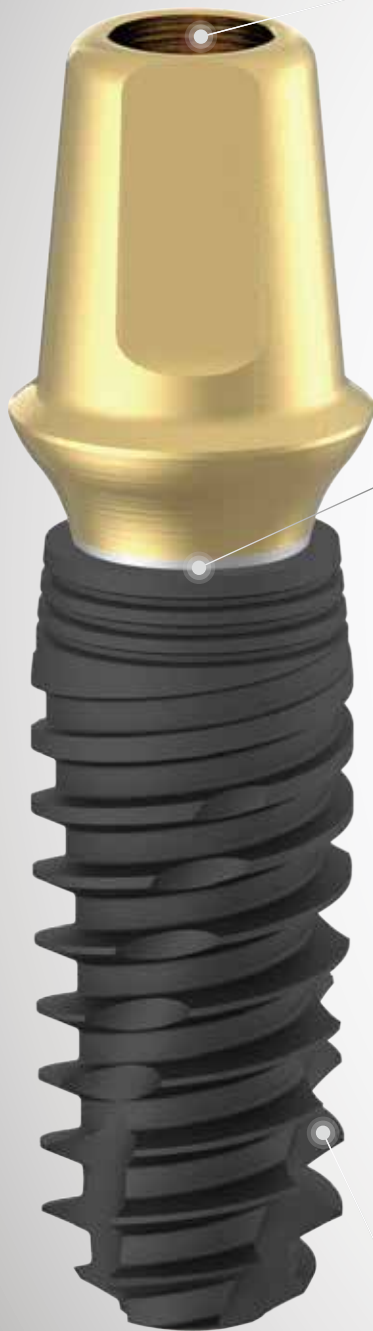
063 Ti-Link Abutment

064 Ti-Blank Abutment

Zenex Plus R-System

- Design features

- Designed for various types of bone



Post shape (Rounded top) optimized for digital dentistry system
Wide cross-section to prevent crown rotation and secure accurate placement.
Wide marginal area to prevent crown fracture
Small screw guide hole to secure strength of abutment
Optimized abutment screw for Short Fixture

R system



5° tapered connection to secure strong fixation
Internal screw for
easy tightening and separation of abutment



Platform Switching
Prevents crestal bone loss after implant
placement and provides esthetic result

Two conical contact points
Strong tightening force of dual contact between
fixture and abutment results in less sink-down
which leads to preventing screw loosening

Deep screw hole to secure initial stability on weak bone
Reversed taper design on upper part to minimize stress on
bone at implant placement.
Micro Groove design to minimize bone loss and appreciate
esthetic of prosthesis
1.0 Pitch double thread helps to reduce time for implant placement

Zenex Plus Implant

Surface features

SEM MAG:30X

SLA surface
(Al_2O_3 powder Sand-blast and Acid Etched)

- SLA surface for presenting ideal surface shape
- Surface Roughness Ra 2.0~3.0 μm
- Safe surface with no residual acid
- Safer than other implants
(Proved by ICP/IC Analysis)

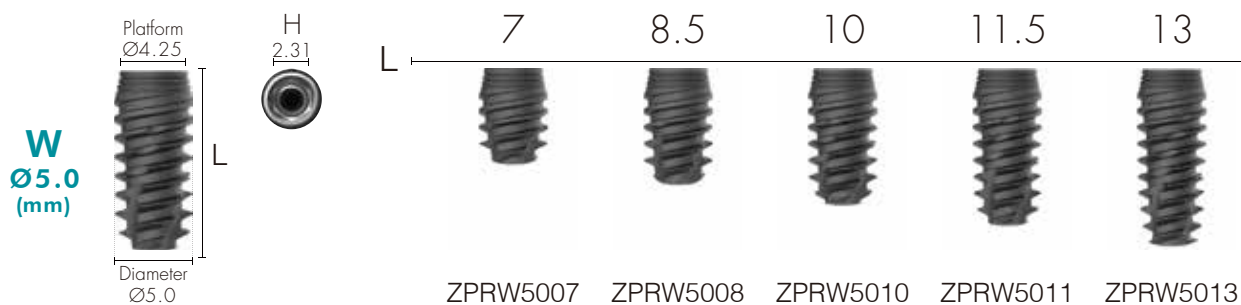
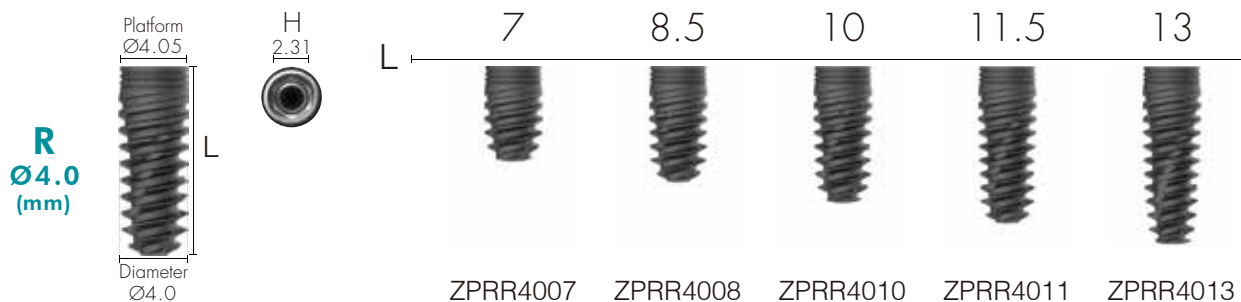
SEM MAG:5000X

ZENEX PLUS Fixture R-System

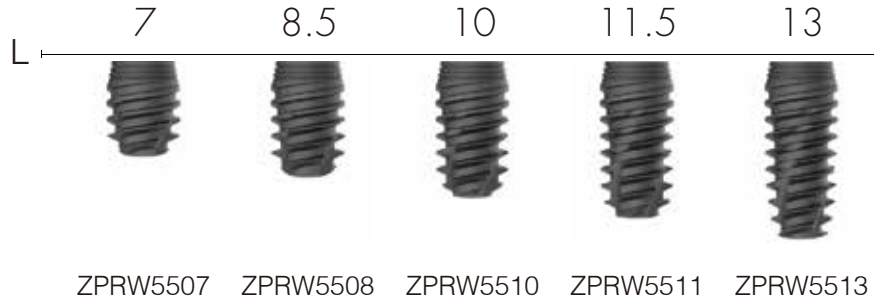
Reversed taper design on upper part to minimize stress on bone when an implant is placed.
 SLA surface implant
 Micro Groove design to minimize bone loss and appreciate esthetic of prosthesis
 Deep screw hole to secure initial stability on weak bone
 Recommended torque for implant placement: Less than 40Ncm

* Recommend to use fixture bigger than Ø4.5 mm for single case in posterior area

Fixture Cover Screw not included in the Fixture package.



W
Ø5.5
(mm)



Special Options

| | | | | | | |
|--------------------------------------|--|-----------------|-----------------------------------|-----------------------------------|-----------------|-----------------|
| <p>Mini Ø3.5 (mm)</p> | | <p>ZPRM3515</p> | <p>R Ø4.0 (mm)</p> | | <p>ZPRR4015</p> | |
| | | <p>ZPRR4515</p> | | <p>W Ø5.0 (mm)</p> | | <p>ZPRW5015</p> |
| | | <p>ZPRW5515</p> | | | | |

018 ZENEX PLUS

Fixture Cover Screw

Select appropriate fixture height upon depth of implant placement.
Select specification fits for fixture connection.

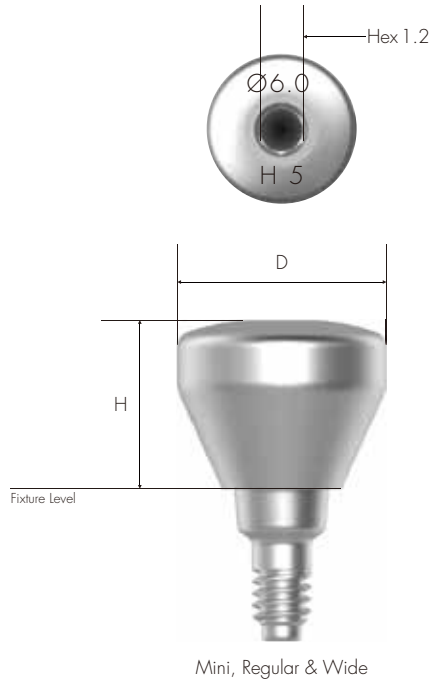
Tighten with 1.2 Hex Driver by hand.
Recommended tightening torque: 5~8Ncm

| | | | | |
|---------------------|-----------------|----------------|----------------|---|
| <p>M/R/W</p> | <p>G/H (mm)</p> | 0.4 | 1.4 | 2 |
| | | | | |
| | <p>CSRR35S</p> | <p>CSRR35M</p> | <p>CSRR35L</p> | |

Healing Abutment




Use Healing Abutment fits for the diameter of abutment.
Use specification fits for fixture connection.

Tighten with 1.2 Hex Driver by hand.
Recommended tightening torque: 5~8Ncm






01 ZENEX PLUS

M/R/W

| H (mm) | 3.0 | 4.0 | 5.0 |
|-------------------|---|---|---|
| D (mm) |  |  |  |
| $\varnothing 4.0$ | HARR403 | HARR404 | HARR405 |
| $\varnothing 5.0$ | HARR503 | HARR504 | HARR505 |
| $\varnothing 6.0$ | HARR603 | HARR604 | HARR605 |
| $\varnothing 7.0$ | HARR703 | HARR704 | HARR705 |
| $\varnothing 8.0$ | HARR803 | HARR804 | HARR805 |
| $\varnothing 9.0$ | HARR903 | HARR904 | HARR905 |

M/R/W

| H (mm) | 6.0 | 7.0 | 9.0 |
|-----------|---|---|---|
| |  |  |  |
| D (mm) | | | |
| Ø4.0 | HARR406 | HARR407 | HARR409 |
| Ø5.0 | HARR506 | HARR507 | HARR509 |
| Ø6.0 | HARR606 | HARR607 | HARR609 |
| Ø7.0 | HARR706 | HARR707 | HARR709 |
| Ø8.0 | HARR806 | HARR807 | |

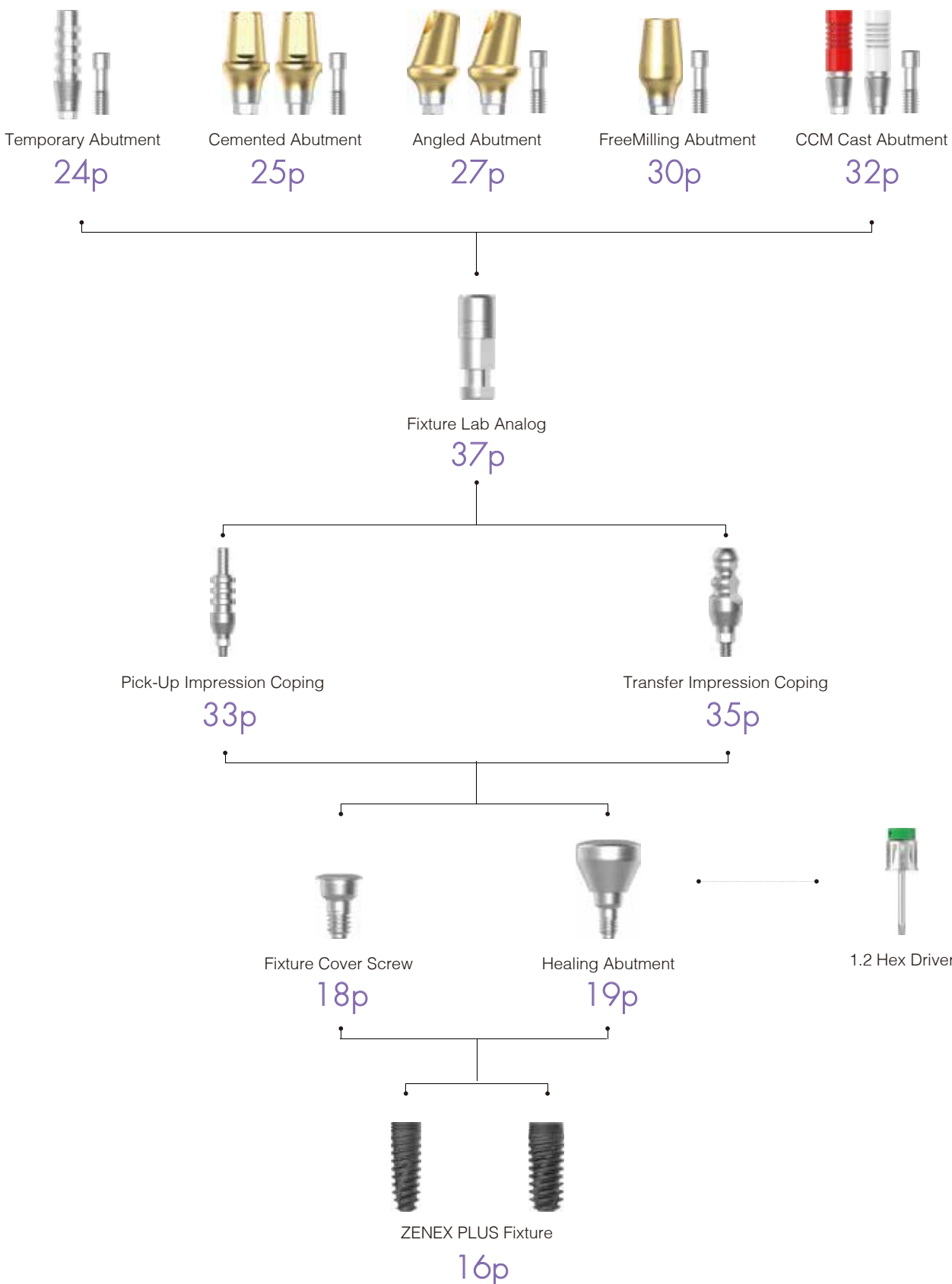
IZEN
I M P L A N T

021 ZENEX
PLUS

IZEN

I M P L A N T

Prosthetic Flow Chart I

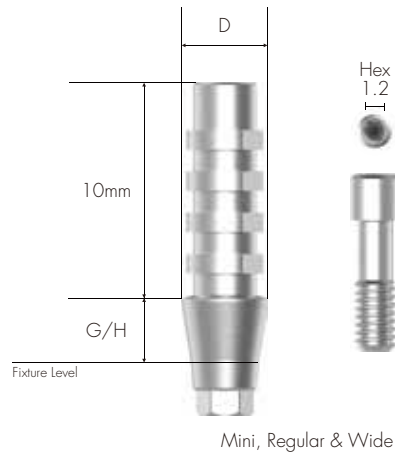


Temporary Abutment

Abutment for manufacturing Screw-retained type temporal prosthesis
 Select specification fits for fixture connection.
 Fixture Level Impression

Tighten with 1.2 Hex Driver
 Recommended tightening torque: 20Ncm

To order as a set as 'Abutment + Abutment Screw'
 : Product Code + S (ex: TARRH4010S)



024 ZENEX PLUS

M/R/W
 DØ4.0

| G/H (mm) | 1.0 | 3.0 |
|----------|-----------|-----------|
| | Hex | Hex |
| | Non-Hex | Non-Hex |
| | TARRH4010 | TARRH4030 |
| | TARRN4010 | TARRN4030 |

Cemented Abutment

Abutment for manufacturing Cement/Combination-retained type prosthesis

Select specification fits for fixture connection.

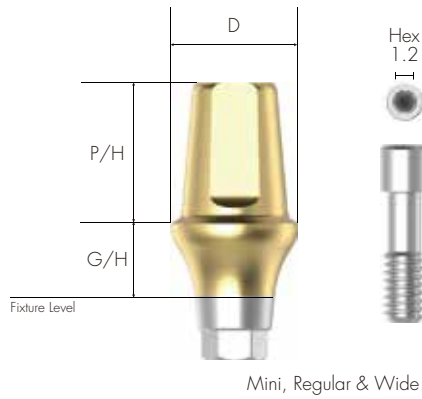
Customized by grinding (need to be maintained at least 3.0mm of Abutment Length above Fixture Platform)

Fixture Level Impression

Tighten with 1.2 Hex Driver

Recommended tightening torque: 30Ncm

To order as a set as 'Abutment + Abutment Screw'
: Product Code + S (ex: CARRH40205S)



025 ZENEX PLUS

M/R/W
DØ4.0

| | G/H (mm) | 2.0 | 3.0 | 4.0 | 5.0 |
|---------|----------|--------------------------|--------------------------|--------------------------|--------------------------|
| Hex | 5.5 | | | | |
| | 7.0 | CARRH40205 CARRH40207 | CARRH40305 CARRH40307 | CARRH40405 CARRH40407 | CARRH40505 CARRH40507 |
| Non-Hex | 5.5 | | | | |
| | 7.0 | CARRN40205 CARRN40207 | CARRN40305 CARRN40307 | CARRN40405 CARRN40407 | CARRN40505 CARRN40507 |

M/R/W
DØ5.0

| | G/H (mm) | 2.0 | 3.0 | 4.0 | 5.0 |
|---------|----------|--------------------------|--------------------------|--------------------------|--------------------------|
| Hex | 5.5 | | | | |
| | 7.0 | CARRH50205 CARRH50207 | CARRH50305 CARRH50307 | CARRH50405 CARRH50407 | CARRH50505 CARRH50507 |
| Non-Hex | 5.5 | | | | |
| | 7.0 | CARRN50205 CARRN50207 | CARRN50305 CARRN50307 | CARRN50405 CARRN50407 | CARRN50505 CARRN50507 |

M/R/W
DØ6.0

| | G/H (mm) | 2.0 | 3.0 | 4.0 | 5.0 |
|---------|-------------|---|---|---|---|
| | |  |  |  |  |
| Hex | P/H (mm) | | | | |
| | 5.5 | CARRH60205 | CARRH60305 | CARRH60405 | CARRH60505 |
| | 7.0 | CARRH60207 | CARRH60307 | CARRH60407 | CARRH60507 |
| Non-Hex | 5.5 | CARRN60205 | CARRN60305 | CARRN60405 | CARRN60505 |
| | 7.0 | CARRN60207 | CARRN60307 | CARRN60407 | CARRN60507 |

M/R/W
DØ7.0

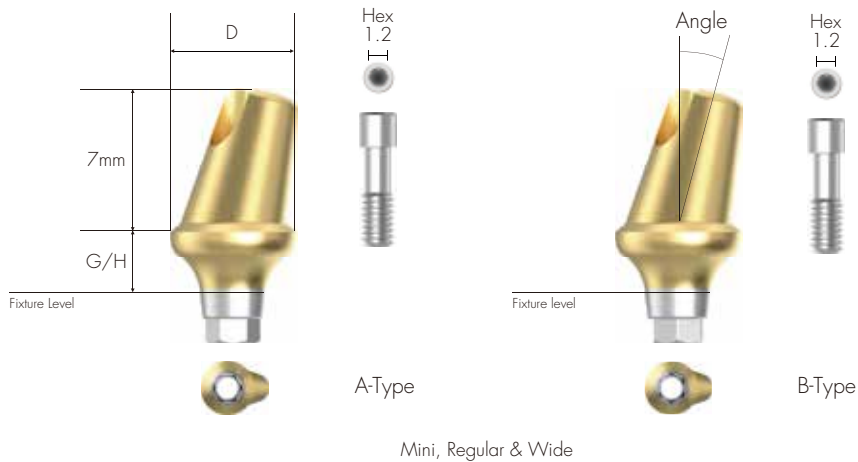
| | G/H (mm) | 2.0 | 3.0 | 4.0 | 5.0 |
|---------|-------------|--|--|--|--|
| | |  |  |  |  |
| Hex | P/H (mm) | | | | |
| | 5.5 | CARRH70205 | CARRH70305 | CARRH70405 | CARRH70505 |
| | 7.0 | CARRH70207 | CARRH70307 | CARRH70407 | CARRH70507 |
| Non-Hex | 5.5 | CARRN70205 | CARRN70305 | CARRN70405 | CARRN70505 |
| | 7.0 | CARRN70207 | CARRN70307 | CARRN70407 | CARRN70507 |

Angled Abutment

Abutment for manufacturing Cement/Combination-retained type prosthesis
 Select specification fits for fixture connection.
 Fixture Level Impression
 Can be positioned in 12 directions by selecting A or B type

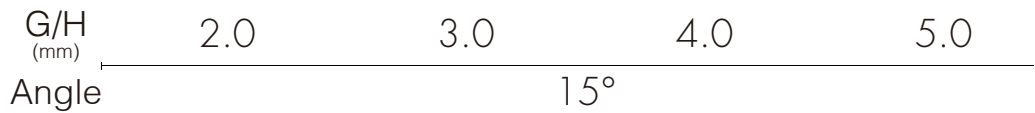
Tighten with 1.2 Hex Driver
 Recommended tightening torque: 30Ncm

To order as a set as 'Abutment + Abutment Screw'
 : Product Code + S (ex: AARRA40152S)



027 ZENEX PLUS

M/R/W
 DØ4.0



A-Type

AARRA40152

AARRA40153

AARRA40154

AARRA40155

B-Type

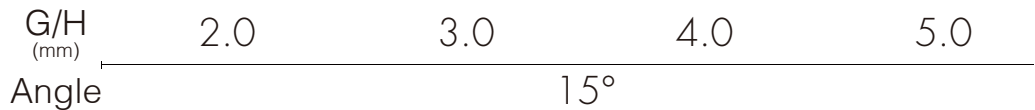
AARRB40152

AARRB40153

AARRB40154

AARRB40155

M/R/W
 DØ5.0



A-Type

AARRA50152

AARRA50153

AARRA50154

AARRA50155

B-Type

AARRB50152

AARRB50153

AARRB50154

AARRB50155

M/R/W
DØ6.0

| G/H (mm) | 2.0 | 3.0 | 4.0 | 5.0 |
|-------------|-----|-----|-----|-----|
| Angle | 15° | | | |



A-Type

AARRA60152

AARRA60153

AARRA60154

AARRA60155

B-Type

AARRB60152

AARRB60153

AARRB60154

AARRB60155

M/R/W
DØ7.0

| G/H (mm) | 2.0 | 3.0 | 4.0 | 5.0 |
|-------------|-----|-----|-----|-----|
| Angle | 15° | | | |



A-Type

AARRA70152

AARRA70153

AARRA70154

AARRA70155

B-Type

AARRB70152

AARRB70153

AARRB70154

AARRB70155

M/R/W
DØ4.0

| G/H (mm) | 2.0 | 3.0 | 4.0 | 5.0 |
|-------------|-----|-----|-----|-----|
| Angle | 25° | | | |



A-Type

AARRA40252

AARRA40253

AARRA40254

AARRA40255

B-Type

AARRB40252

AARRB40253

AARRB40254

AARRB40255

M/R/W
DØ5.0

| G/H (mm) | 2.0 | 3.0 | 4.0 | 5.0 |
|-------------|-----|-----|-----|-----|
| Angle | 25° | | | |



A-Type

AARRA50252

AARRA50253

AARRA50254

AARRA50255

B-Type

AARRB50252

AARRB50253

AARRB50254

AARRB50255

M/R/W
DØ6.0

G/H
(mm) 2.0 3.0 4.0 5.0
Angle 25°



A-Type

AARRA60252

AARRA60253

AARRA60254

AARRA60255

B-Type

AARRB60252

AARRB60253

AARRB60254

AARRB60255

M/R/W
DØ7.0

G/H
(mm) 2.0 3.0 4.0 5.0
Angle 25°



A-Type

AARRA70252

AARRA70253

AARRA70254

AARRA70255

B-Type

AARRB70252

AARRB70253

AARRB70254

AARRB70255

FreeMilling Abutment

Abutment for manufacturing Cement/Combination-retained type prosthesis

Used when creating free marginal space for Abutment

Select specification fits for fixture Connection

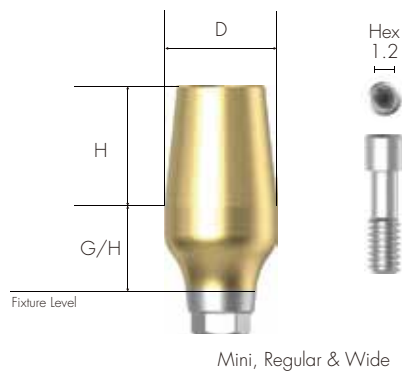
Customized by grinding (need to be maintained at least 3.0mm of Abutment Length above Fixture Platform)

Fixture Level Impression

Tighten with 1.2 Hex Driver

Recommended tightening torque: 30Ncm

To order as a set as 'Abutment + Abutment Screw'
: Product Code + S (ex: FMARRH40209S)



030 ZENEX PLUS

M/R/W

DØ4.0

H: 9.0mm

| G/H (mm) | 2.0 | 3.0 | 4.0 | 5.0 |
|----------|-------------|-------------|-------------|-------------|
| | | | | |
| | Hex | Hex | Hex | Hex |
| | FMARRH40209 | FMARRH40309 | FMARRH40409 | FMARRH40509 |



M/R/W

DØ5.0

H: 8.0mm

| G/H (mm) | 2.0 | 3.0 | 4.0 | 5.0 |
|----------|-------------|-------------|-------------|-------------|
| | | | | |
| | Hex | Hex | Hex | Hex |
| | FMARRH50208 | FMARRH50308 | FMARRH50408 | FMARRH50508 |

M/R/W
DØ6.0
H: 8.0mm

| G/H (mm) | 2.0 | 3.0 | 4.0 | 5.0 |
|-------------|---|---|---|---|
| |  |  |  |  |
| | Hex | Hex | Hex | Hex |
| | FMARRH60208 | FMARRH60308 | FMARRH60408 | FMARRH60508 |

M/R/W
DØ7.0
H: 8.0mm

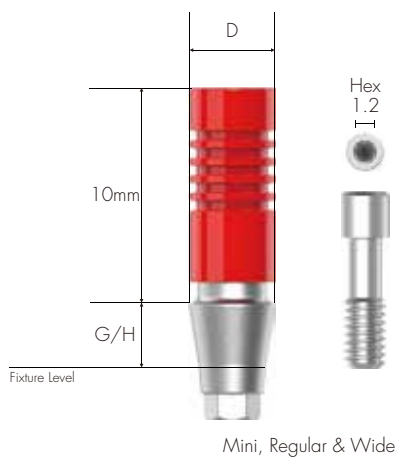
| G/H (mm) | 2.0 | 3.0 | 4.0 | 5.0 |
|-------------|--|--|--|--|
| |  |  |  |  |
| | Hex | Hex | Hex | Hex |
| | FMARRH70208 | FMARRH70308 | FMARRH70408 | FMARRH70508 |

CCM Cast Abutment

Abutment for manufacturing customized abutment in difficult and complicated cases
 Select specification fits for fixture connection
 Fixture Level Impression
 Casting with non-precious alloy for manufacturing customized prosthesis
 Melting point of CCM : 1,400 ~ 1,550°C

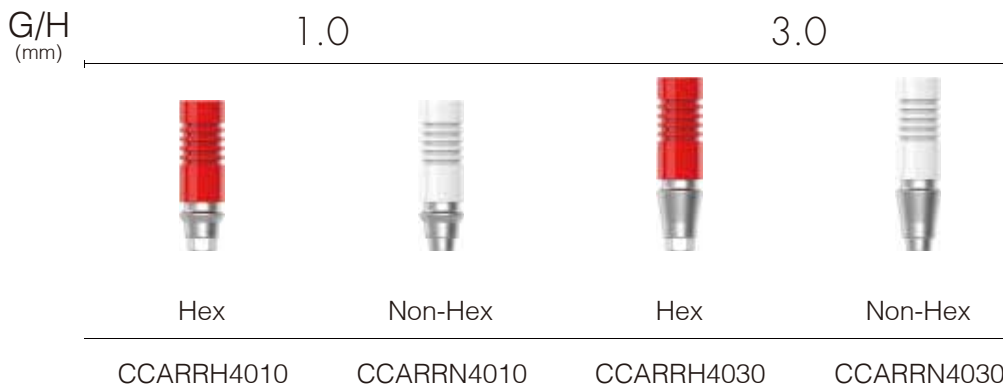
Tighten with 1.2 Hex Driver
 Recommended tightening torque: 30Ncm

To order as a set as 'Abutment + Abutment Screw'
 : Product Code + S (ex: CCARRH4010S)



ZENEX
 CO PLUS

M/R/W
 DØ4.0

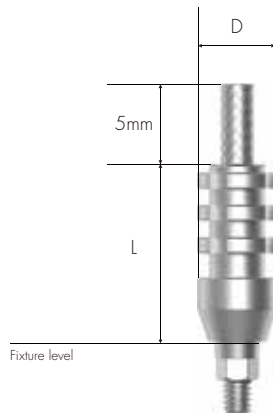


Pick-Up Impression Coping

Components for Fixture Level Impression
 Open Tray Type
 Select specification fits for fixture connection
 Enables accurate impression with design of stably fixed in impression material




Tighten with 1.2 Hex Driver by hand

To order as a set as 'Impression Coping body + Guide Pin'
 : [For 11mm Length] Product Code + S (ex: PIRRH40SS)
 [For 15mm Length] Product Code + S (ex: PIRRH40LS)

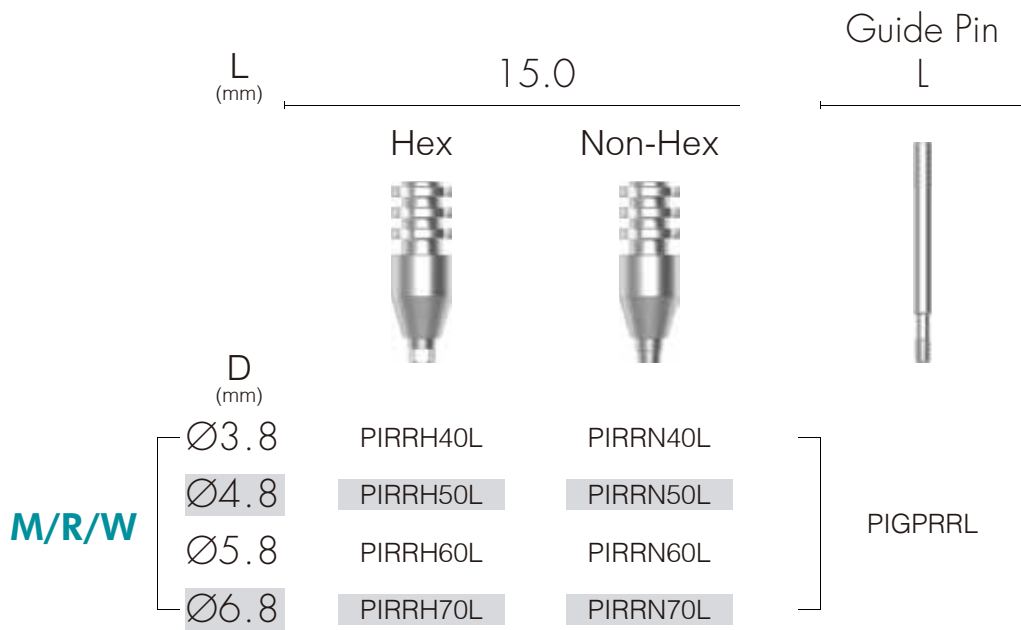


Mini, Regular & Wide

O33 ZENEX PLUS

| L (mm) | 11.0 | | Guide Pin S |
|-----------|---|---|---|
| | Hex | Non-Hex | |
| |  |  |  |
| D (mm) | | | PIGPRRS |
| Ø3.8 | PIRRH40S | PIRRN40S | |
| Ø4.8 | PIRRH50S | PIRRN50S | |
| Ø5.8 | PIRRH60S | PIRRN60S | |
| Ø6.8 | PIRRH70S | PIRRN70S | |

M/R/W

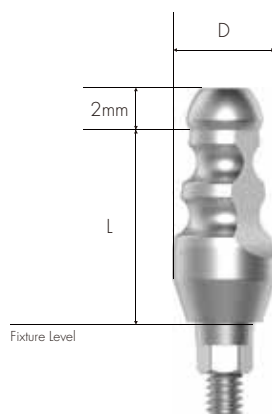


Transfer Impression Coping

- Components for Fixture Level Impression
- Closed Tray Type
- Select specification fits for fixture connection
- Streamlined Shape: Easy to transfer
- Anti-Rotation Grooves accord with Hex of fixture



Tighten with 1.2 Hex Driver by hand

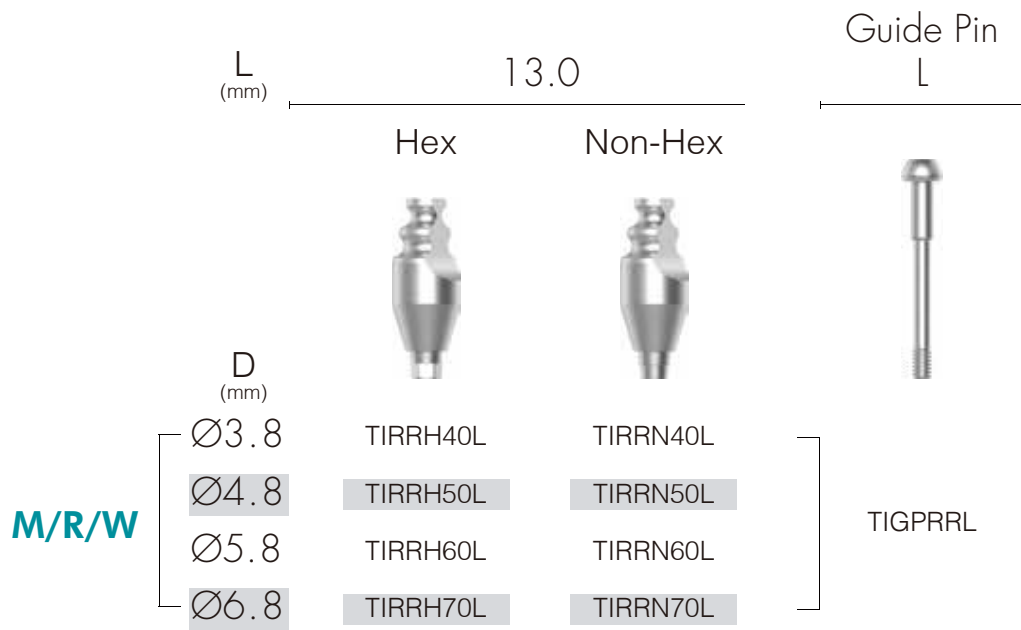
To order as a set as 'Impression Coping body + Guide Pin'
 : [For 9mm Length] Product Code + S (ex: TIRRH40S)
 [For 13mm Length] Product Code + S (ex: TIRRH40LS)



Mini, Regular & Wide

O35 ZENEX PLUS

| | L (mm) | | Guide Pin S |
|--------------|---|---|---|
| | Hex | Non-Hex | |
| | 9.0 | | |
| |  |  |  |
| | D (mm) | | |
| M/R/W | Ø3.8 | TIRRH40S | TIGPRRS |
| | Ø4.8 | TIRRH50S | |
| | Ø5.8 | TIRRH60S | |
| | Ø6.8 | TIRRH70S | |
| | | | |
| | | | |
| | | | |
| | | | |



Fixture Lab Analog

Lab Analog for Fixture Level Impression

Select between Fixture Diameter (\varnothing 3.5 / \varnothing 4.0 and above)



Mini
D \varnothing 3.75



FLARR350

R/W
D \varnothing 4.25



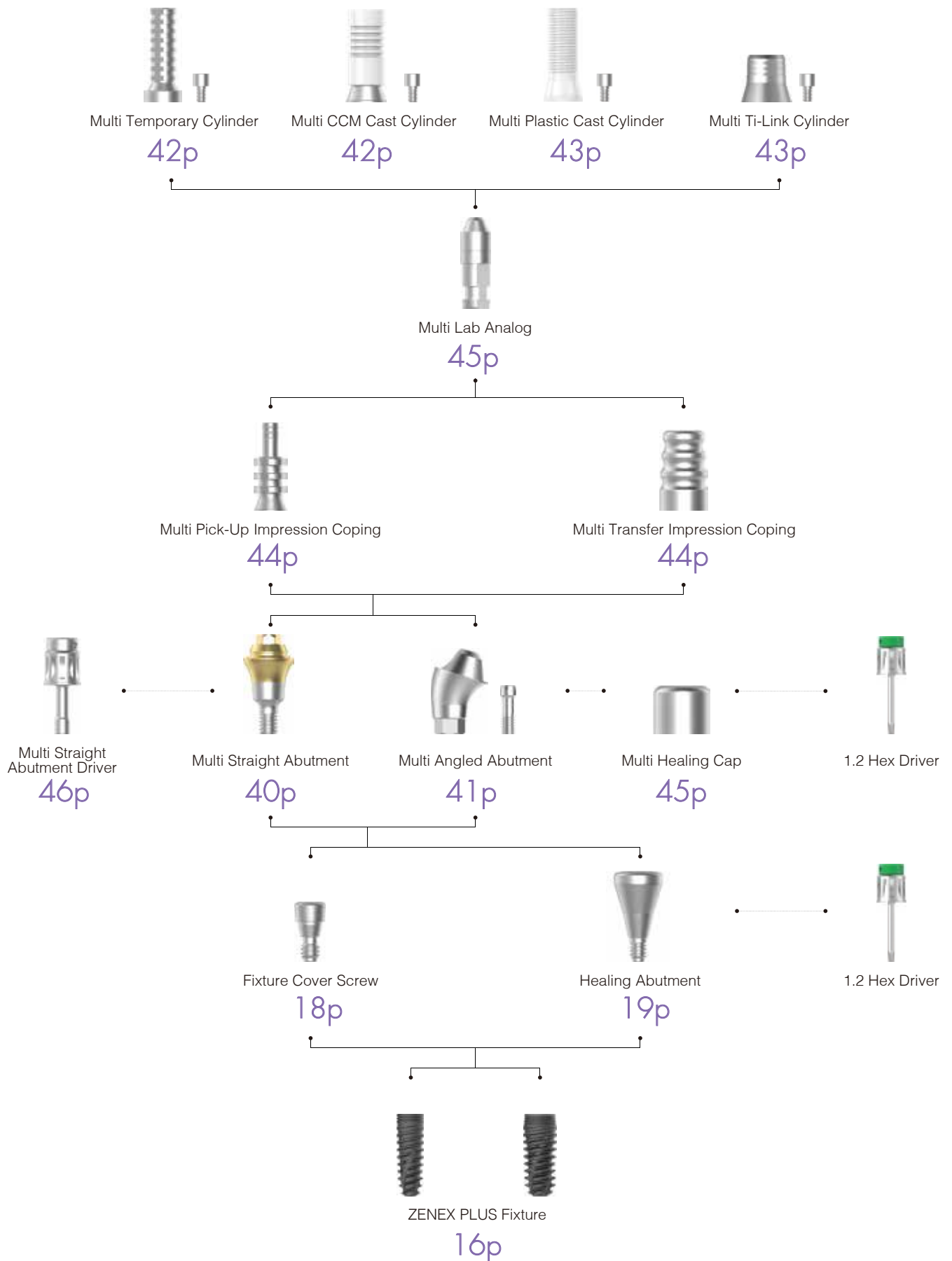
FLARR400

83 ZENEX
03 PLUS

IZEN

I M P L A N T

Prosthetic Flow Chart II

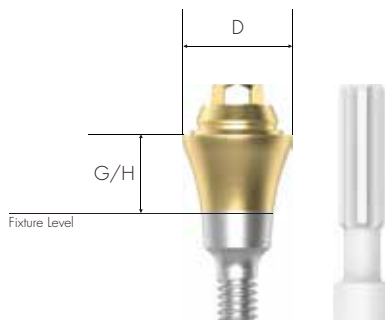


Multi Straight Abutment

Abutment for manufacturing screw-retained prosthesis in Multiple Case
Same platform as Multi Angled Abutment
Move into internal oral part by using exclusive Abutment Carrier (Code: MSACR48)

Tighten with exclusive driver (Code: MSADSR20)
Recommended tightening torque: 30Ncm

To order as a set as 'Abutment + Carrier'
: Product Code + S (ex: MSARR4815S)



Mini, Regular & Wide

040 ZENEX PLUS

M/R/W
DØ4.8

G/H
(mm)

1.5

2.5

3.5

4.5



MSARR4815

MSARR4825

MSARR4835

MSARR4845

Multi Angled Abutment

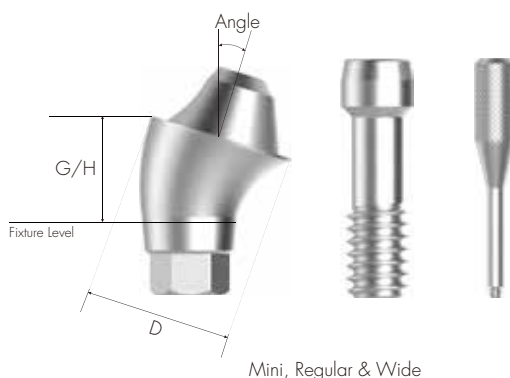
Abutment for manufacturing screw-retained prosthesis in Multiple Case
 Abutment of various angles (17°, 30°) for various angled of implant insertion path
 Same platform as Multi Straight Abutment
 Compensation of fixture placement angle up to 108°
 Connect by using exclusive Abutment Carrier (Code: MAACRMC)

Tighten with 1.2 Hex Driver

Recommended tightening torque: 30Ncm

Multi Angled Abutment Screw (MAASRR20) included

To order as a set as 'Abutment + Screw + Carrier'
 : Product Code + S (ex: MAARRH481725S)



M/R/W
 DØ4.8

| | | | |
|----------|-----|-----|-----|
| G/H (mm) | 2.5 | 3.5 | 4.5 |
| Angle | 17° | | |



| | | | |
|-----|--------------|--------------|--------------|
| Hex | MAARRH481725 | MAARRH481735 | MAARRH481745 |
|-----|--------------|--------------|--------------|

| | | | |
|---------|--------------|--------------|--------------|
| Non-Hex | MAARRN481725 | MAARRN481735 | MAARRN481745 |
|---------|--------------|--------------|--------------|

M/R/W
 DØ4.8

| | | |
|----------|-----|-----|
| G/H (mm) | 3.5 | 4.5 |
| Angle | 30° | |



| | | |
|-----|--------------|--------------|
| Hex | MAARRH483035 | MAARRH483045 |
|-----|--------------|--------------|

| | | |
|---------|--------------|--------------|
| Non-Hex | MAARRN483035 | MAARRN483045 |
|---------|--------------|--------------|

Multi Temporary Cylinder

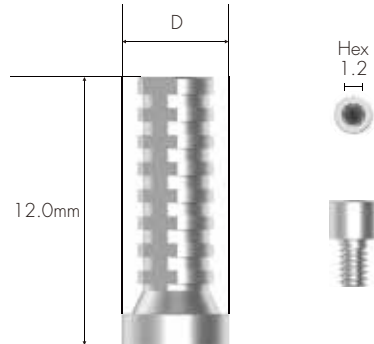
Multi Cylinder for making Combination-retained prosthesis from Multi Abutment
For manufacturing Screw-retained temporary Abutment

Tighten with 1.2 Hex Driver

Recommended tightening torque: 20Ncm

Multi Cylinder Screw (MTCSR23) included

To order as a set as 'Cylinder + Multi Cylinder Screw'
: Product Code + S (ex: MTCSRN48S)



DØ4.8

MTCSRN48

042 ZENEX PLUS

Multi CCM Cast Cylinder

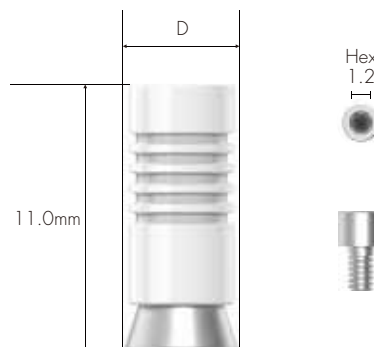
Multi Cylinder for making Screw-retained prosthesis from Multi Abutment
Casting with non-precious alloy for manufacturing customized prosthesis
Melting point of CCM : 1,400 ~ 1,550°C

Tighten with 1.2 Hex Driver

Recommended tightening torque: 20Ncm

Multi Cylinder Screw (MTCSR23) included

To order as a set as 'Cylinder + Multi Cylinder Screw'
: Product Code + S (ex: MCCCORN48S)



DØ4.8

MCCCORN48

Multi Plastic Cast Cylinder

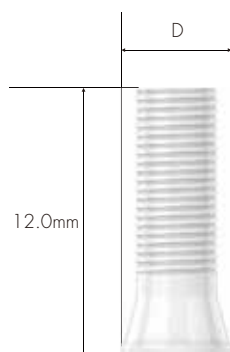
Multi Cylinder for making Screw-retained prosthesis from Multi Abutment

Tighten with 1.2 Hex Driver

Recommended tightening torque: 20Ncm

Multi Cylinder Screw (MTCSR23) included

To order as a set as 'Cylinder + Multi Cylinder Screw'
: Product Code + S (ex: MPCCSRN48S)



DØ5.0

MPCCSRN48

043 ZENEX PLUS

Multi Ti-Link Cylinder

Multi Cylinder for making Combination-retained prosthesis from Multi Abutment

Use when producing Customized Abutment (Titanium & Zirconia) and Crown by CAD/CAM equipment

Use exclusive implant library of Zenex Plus Implant System

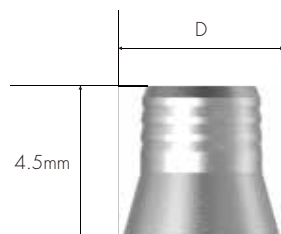
Abutment Level Impression

Tighten with 1.2 Hex Driver

Recommended tightening torque: 20Ncm

Multi Cylinder Screw (MTCSR23) included

To order as a set as 'Cylinder + Multi Cylinder Screw'
: Product Code + S (ex: MTLCSRN48S)



DØ4.8

MTLCSRN48

Multi Pick-Up Impression Coping

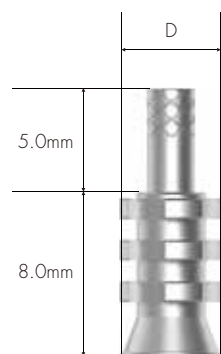
Components for taking Abutment Level impression for Multi Abutment

Open Tray Type

Tighten with 1.2 Hex Driver by hand

Multi Pick-up Impression Coping Guide Pin (MPICSRGP) included

To order as a set as 'Impression Coping body + Guide Pin'
: Product Code + S (ex: MPICSR48S)



DØ4.8

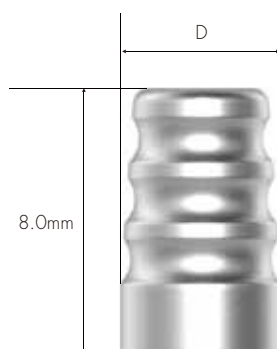
MPICSR48

044 ZENEX PLUS

Multi Transfer Impression Coping

Components for taking Abutment Level impression for Multi Abutment
Closed Tray Type

Tighten with 1.2 Hex Driver by hand



DØ4.8

MTICSR48

Multi Lab Analog

Lab Analog for Multi Abutment



MLASR48

O45
ZENEX
PLUS

Multi Healing Cap

Protect Cap for Multi Abutment

Tighten with 1.2 Hex Driver by hand



$D\varnothing 4.8$

MHCSR48

Multi Straight Abutment Driver

Torque driver for Multi Straight Abutment



MSADSR20

046 ZENEX
PLUS

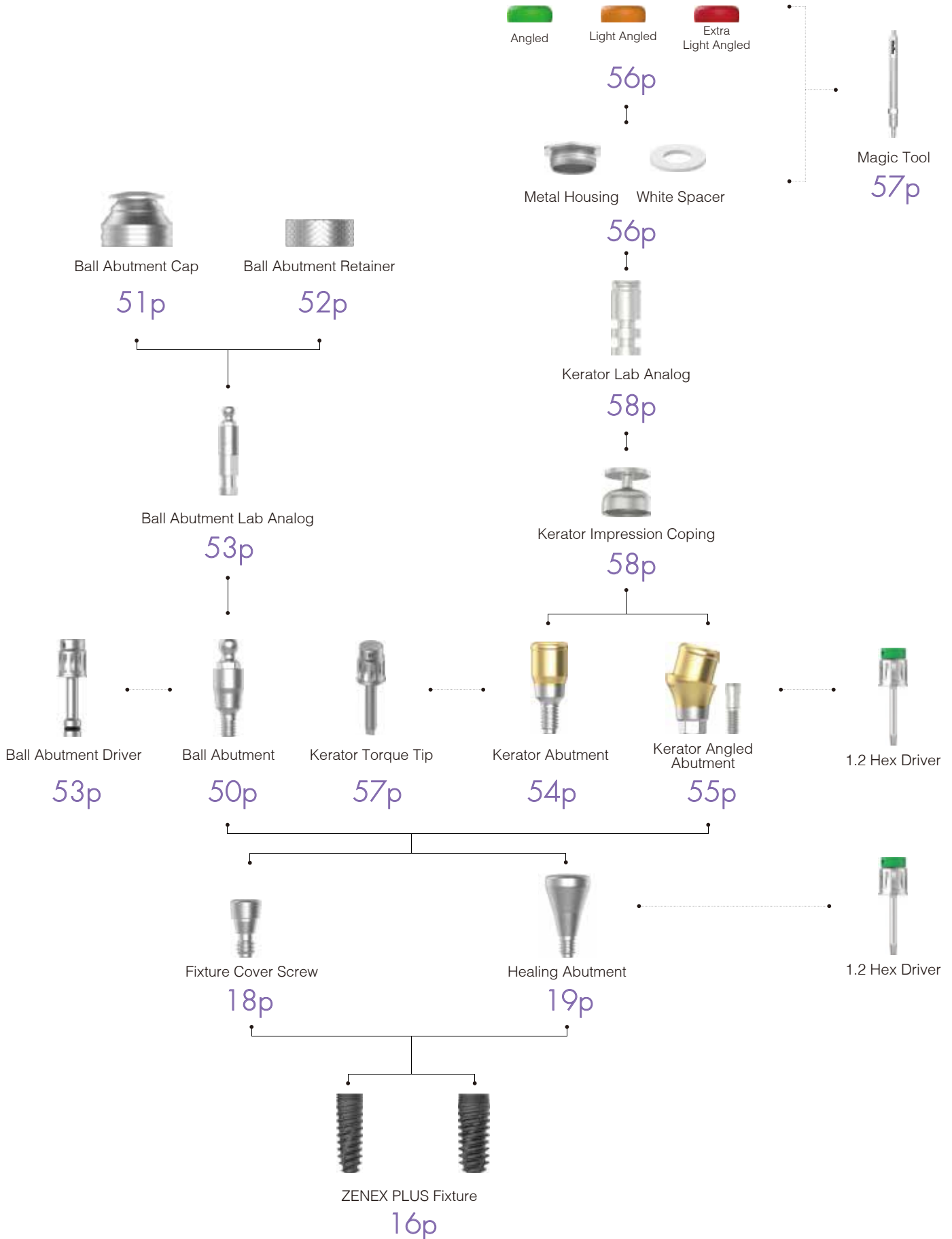
IZEN
I M P L A N T

047
ZENEX
PLUS

IZEN

I M P L A N T

Prosthetic Flow Chart III

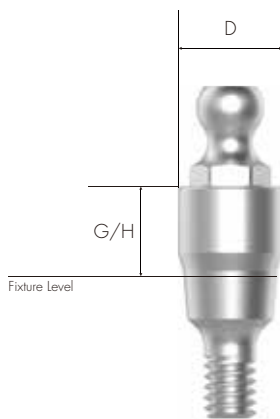


049 ZENEX PLUS

Ball Abutment

Abutment for overdenture using O-ring attachment
 Compensation of mounting angle up to 20°

Tighten with exclusive Ball Abutment Driver (Code: BAD24)
 Recommended tightening torque: 30Ncm



Mini, Regular & Wide

050 ZENEX PLUS

| G/H (mm) | 1.0 | 2.0 | 3.0 | 4.0 | 5.0 | 6.0 |
|----------------|----------|----------|----------|----------|----------|----------|
| M/R/W DØ3.5 | | | | | | |
| | BARR3510 | BARR3520 | BARR3530 | BARR3540 | BARR3550 | BARR3560 |

Ball Abutment Cap Set

O-ring attachment for Ball Abutment
Replace O-ring on Ball Abutment Cap
Packing Unit: Ball Abutment Cap + Ball Abutment Lab O-ring



BASRCS

Ball Abutment Retainer Set

Use in case lack of vertical diameter comparing to Ball Abutment Retainer
Packing Unit: Ball Abutment Retainer + Ball Abutment Lab O-ring



BASRRS

Ball Abutment O-ring Set

O-ring set

Packing Unit: Ball Abutment O-ring 5 EA



BASROS

052 ZENEX
50 PLUS

Ball Lab Analog

Lab Analog for Ball Abutment



BAALA

Ball Abutment Driver

Torque driver for Ball Abutment

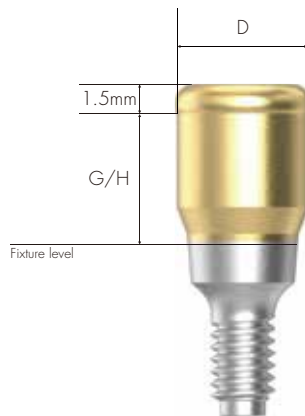


BAD24

Kerator Abutment

Compensation of fixture placement angle up to 40°
1.5mm lower vertical dimension
Composition of multiple attachments with stable retention

Connect with exclusive driver
Recommended tightening torque: 30Ncm



Mini, Regular & Wide

054 ZENEX
5 PLUS

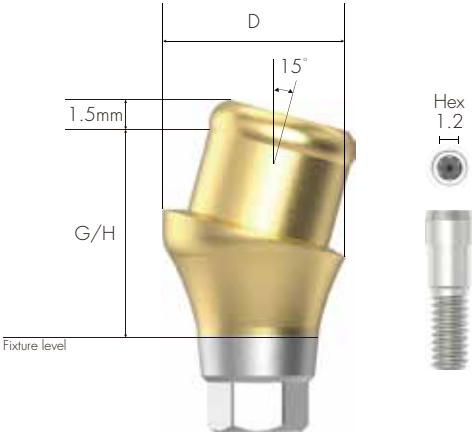
M/R/W
DØ3.7



Kerator Angled Abutment

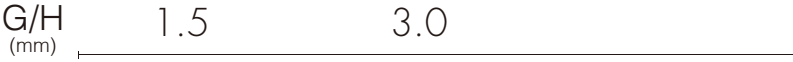
1.5mm lower vertical dimension
 Composition of multiple attachments with stable retention

Connect with 1.2 Hex driver
 Recommended tightening torque: 30Ncm



Mini, Regular & Wide

M/R/W
 DØ3.7



AR4AN1.5



AR4AN3.0

055 ZENEX PLUS

Kerator CDPH Set

Composition: White spacer / denture cap connected black processing male & Replacement male (Red, Blue & Pink)
Select replacement male of adequate retention to use according to cases
Replace replacement male by using Kerator Magic tool



CDPH SET

056 ZENEX PLUS

Kerator Male Cap

Retention power of KERATOR male cap is down (up to 20%) and red cap(angle) is included in the male package
Colors of cap determine retention power and it minimizes Denture Repair even there is any continuous bone loss



Kerator Magic Tool

Use to connect and remove replacement male on denture cap
As separated into two pieces, it is easy to maintenance



KMH002

057
ZENEX
PLUS

Kerator Torque Tip

Torque driver for Kerator Abutment

Round Type



KMD719

Kerator Impression Coping

Pick-Up Impression Coping for Kerator abutment
Closed Tray Type



DKI4845

058 ZENEX
PLUS

Kerator Lab Analog

Lab Analog for Kerator Abutment



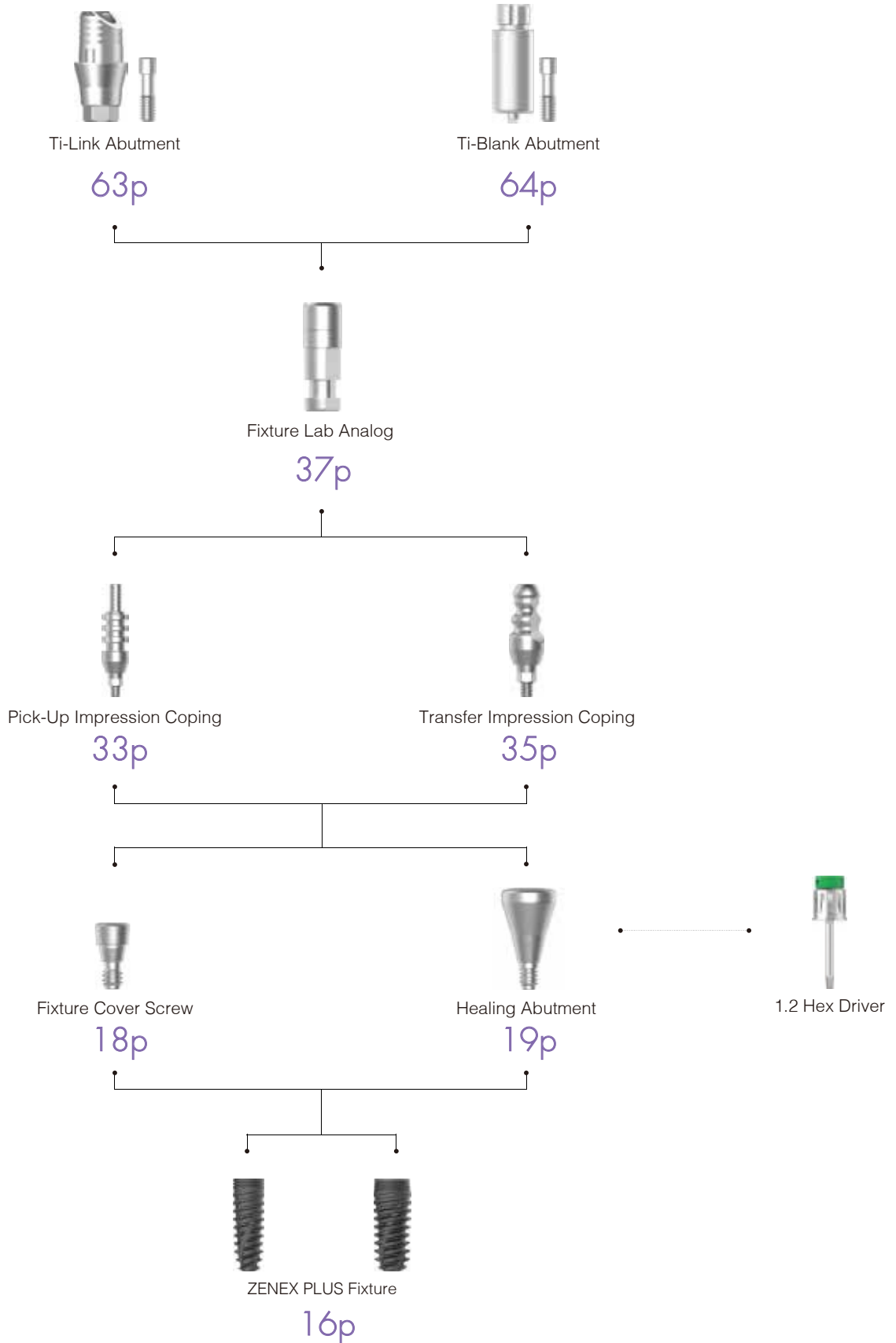
DKA3854

IZEN
I M P L A N T

IZEN

I M P L A N T

Prosthetic Flow Chart IV

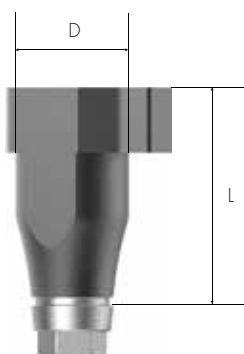


ScanBody

ScanBody for manufacturing customized Titanium abutment
Use for Oral scan (Model scan available as well)

Tighten with 1.2 Hex Driver by hand

To order as a set as 'ScanBody + ScanBody Screw'
: Product Code + S (ex: RSBR4310S)



062 ZENEX
99 PLUS

M/R/W
DØ4.3

L : 10mm



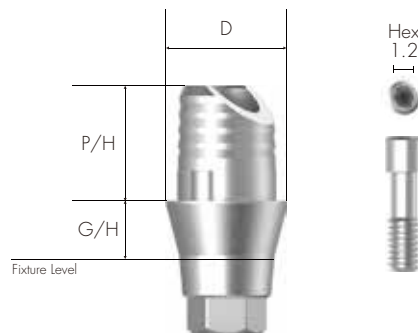
RSBR4310

Ti-Link Abutment

Abutment for manufacturing Cement/Combination-retained type prosthesis
 For manufacturing custom abutment (Titanium & Zirconia) and crown by CAD/CAM equipment
 Select specification fits for fixture Connection
 Use exclusive library for Zenex Plus Implant system
 Fixture Level Impression

Tighten with 1.2 Hex Driver
 Recommended tightening torque: 30Ncm

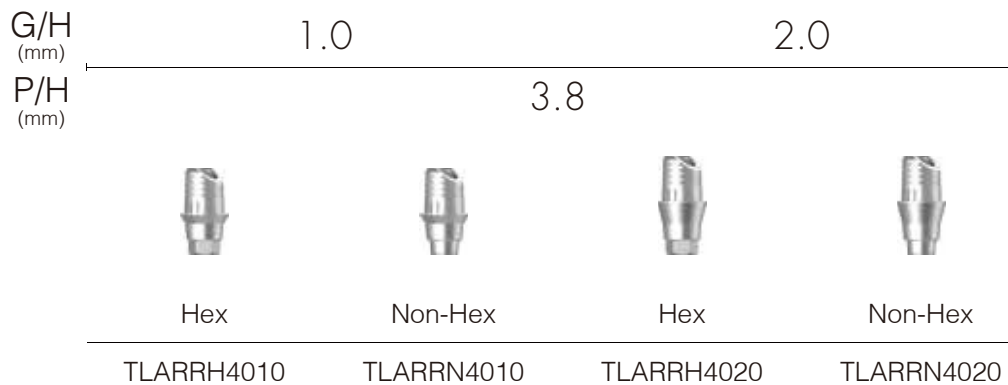
To order as a set as 'Abutment + Screw'
 : Product Code + S (ex: TLARRH4010S)



Mini, Regular & Wide

063 ZENEX PLUS

M/R/W
 DØ4.0



Ti-Blank Abutment

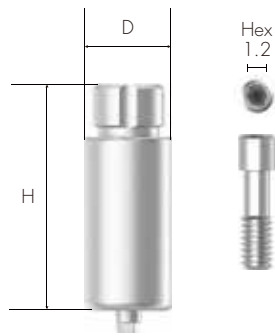
Manufacturing customized abutment with milling machine
 Select specification fits for fixture Connection
 Digital Impression

Tighten with 1.2 Hex Driver

Recommended tightening torque: 30Ncm

Product line-up applied for various milling machine brands
 (Milling machine manufacturer: Doowon, Manix, Vatech, RND)

To order as a set as 'Abutment + Screw'
 : Product Code + S (ex: TBARRH10AS)



Mini, Regular & Wide

064 ZENEX PLUS

For Arum
M/R/W
 DØ10



For Manix
M/R/W
 DØ10



IZEN
I M P L A N T

065
ZENEX
PLUS